

# beamZ

## ILLUSION 1

Ref. nr.: 150.466 MKII



INSTRUCTION MANUAL  
GEBRUIKSAANWIJZING  
BEDIENUNGSANLEITUNG  
MANUAL DE INSTRUCCIONES  
MANUEL D'INSTRUCTIONS  
INSTRUKCJA OBSŁUGI

V2.0



# ENGLISH

Congratulations to the purchase of this Beamz product. Please read this manual thoroughly prior to using the product in order to benefit fully from all features.

Read the manual prior to using the product. Follow the instructions in order not to invalidate the warranty. Take all precautions to avoid fire and/or electrical shock. Repairs must only be carried out by a qualified technician in order to avoid electrical shock. Keep the manual for future reference.

- Prior to using the product, please ask advice from a specialist. When the unit is switched on for the first time, some smell may occur. This is normal and will disappear after a while.
- The unit contains voltage carrying parts. Therefore do NOT open the housing.
- Do not place metal objects or pour liquids into the product. This may cause electrical shock and malfunction.
- Do not place the product near heat sources such as radiators, etc. Do not place the unit on a vibrating surface. Do not cover the ventilation holes.
- The product is not suitable for continuous use.
- Be careful with the mains lead and do not damage it. A faulty or damaged mains lead can cause electrical shock and malfunction.
- When unplugging the product from a mains outlet, always pull the plug, never the lead.
- Do not plug or unplug the unit with wet hands.
- If the plug and/or the mains lead are damaged, they need to be replaced by a qualified technician.
- If the product is damaged to such an extent that internal parts are visible, do NOT plug the unit into a mains outlet and DO NOT switch the product on. Contact your dealer. Do NOT connect the product to a rheostat or dimmer.
- To avoid fire and shock hazard, do not expose the product to rain and moisture.
- All repairs should be carried out by a qualified technician only.
- Connect the product to an earthed mains outlet (220-240Vac/50Hz) protected by a 10-16A fuse.
- During a thunderstorm or if the product will not be used for a longer period of time, unplug it from the mains. The rule is: Unplug it from the mains when not in use.
- If the product has not been used for a longer period of time, condensation may occur. Let the unit reach room temperature before you switch it on.
- Never use the product in humid rooms or outdoors.
- During operation, the housing becomes very hot. Do not touch it during operation and immediately after.
- To prevent accidents in companies, you must follow the applicable guide lines and follow the instructions.
- Secure the product with an extra safety chain if the unit is ceiling mount. Use a truss system with clamps. Make sure nobody stands in the mounting area. Mount the effect at least 50cm away from inflammable material and leave at least 1 meter space on every side to ensure sufficient cooling.
- This product contains high intensity LEDs. Do not look into the LED light to prevent damage to your eyes.
- Do not repeatedly switch the product on and off. This shortens the life time.
- Keep the unit out of the reach of children. Do not leave the unit unattended.
- Do not use cleaning sprays to clean switches. The residues of these sprays cause deposits of dust and grease. In case of malfunction, always seek advice from a specialist.
- Only operate the product with clean hands.
- Do not force the controls.
- If the product has fallen, always have it checked by a qualified technician before you switch the product on again.
- Do not use chemicals to clean the unit. They damage the varnish. Only clean the product with a dry cloth.
- Keep away from electronic equipment that may cause interference.
- Only use original spares for repairs, otherwise serious damage and/or dangerous radiation may occur.
- Switch the product off prior to unplugging it from the mains and/or other equipment. Unplug all leads and cables prior to moving the product.
- Make sure that the mains lead cannot be damaged when people walk on it. Check the mains lead before every use for damages and faults!
- The mains voltage is 220-240Vac/50Hz. Check if power outlet match. If you travel, make sure that the mains voltage of the country is suitable for this product.
- Keep the original packing material so that you can transport the product in safe conditions



This mark attracts the attention of the user to high voltages that are present inside the housing and that are of sufficient magnitude to cause a shock hazard.



This mark attracts the attention of the user to important instructions that are contained in the manual and that he should read and adhere to.



**DO NOT LOOK DIRECTLY INTO THE LENS.** This can damage your eyes. Persons who are subject to epileptic attacks should be aware of the effects that this light effect may have on them.

The product has been certified CE. It is prohibited to make any changes to the product. They would invalidate the CE certificate and their guarantee!

**NOTE:** To make sure that the unit will function normally, it must be used in rooms with a temperature between 5°C/41°F and 35°C/95°F.



Electric products must not be put into household waste. Please bring them to a recycling centre. Ask your local authorities or your dealer about the way to proceed. The specifications are typical. The actual values can slightly change from one unit to the other. Specifications can be changed without prior notice.

*Do not attempt to make any repairs yourself. This would invalid your warranty. Do not make any changes to the product. This would also invalid your warranty. The warranty is not applicable in case of accidents or damages caused by inappropriate use or disrespect of the warnings contained in this manual. Beamz cannot be held responsible for personal injuries caused by a disrespect of the safety recommendations and warnings. This is also applicable to all damages in whatever form.*

## UNPACKING INSTRUCTION

**CAUTION!** Immediately upon receiving the product, carefully unpack the carton, check the contents to ensure that all parts are present, and have been received in good condition. Notify the shipper immediately and retain packing material for inspection if any parts appear damaged from shipping or the package itself shows signs of mishandling. Save the package and all packing materials. In the event that the product must be returned to the factory, it is important that the product be returned in the original factory box and packing.

If the device has been exposed to drastic temperature fluctuation (e.g. after transportation), do not switch it on immediately. The arising condensation water might damage your device. Leave the device switched off until it has reached room temperature.

## POWERSUPPLY

On the label on the backside of the product is indicated on this type of power supply must be connected. Check that the mains voltage corresponds to this, all other voltages than specified, the light effect can be irreparably damaged. The product must also be directly connected to the mains and may be used. No dimmer or adjustable power supply.



Always connect the device to a protected circuit (circuit breaker or fuse). Make sure the device has an appropriate electrical ground to avoid the risk of electrocution or fire.

## INSTALLATION



**CAUTION:** Please consider the respective national norms during the installation! The installation must only be carried out by an authorized employee or dealers!

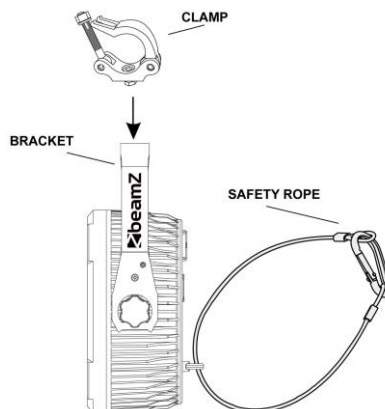


### Attention:

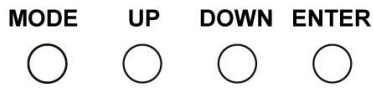
- The installation of the product has to be built and constructed in a way that it can hold 10 times the weight for 1 hour without any harming deformation.
- The installation must always be secured with a secondary safety attachment, e.g. an appropriate catch net. This secondary safety attachment must be constructed in a way that no part of the installation can fall down if the main attachment fails.
- Make sure the area below the installation place is free from unwanted persons during rigging, de-rigging and servicing.
- The operator has to make sure that safety-relating and machine-technical installations are approved by an expert before taking into operation for the first time and after changes before taking into operation another time.
- The operator has to make sure that safety-relating and machine-technical installations are approved by a skilled person once a year.
- The fixture should be installed in the position where persons cannot reach and where persons may walk by or be seated.



**CAUTION:** When installing the device, make sure there is no highly inflammable material (decoration articles, etc.) in between a distance of min 0.5 meter.



## DISPLAY



The control board offer several features: you can simple set the starting address, run the pre-programmed program or make a reset. The main menu is accessed by pressing the **Mode**-button, browse through the submenu by pressing **Up** or **Down**.

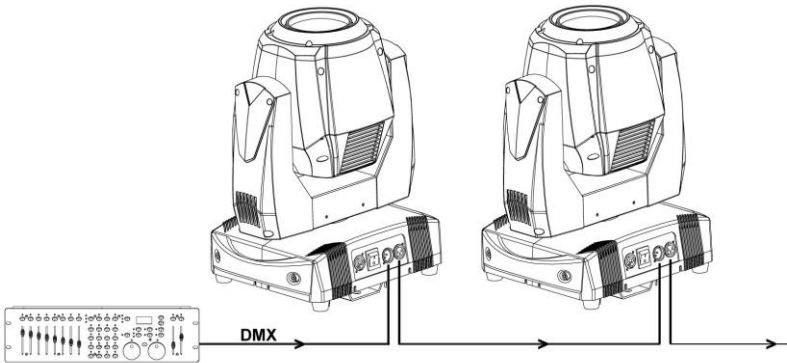
Press the **Enter**-button in order to select the desired menu.

You can change the selection by pressing **Up** or **Down**. Confirm every selection by pressing the **Enter**-button.

You can leave every mode by pressing the **Mode**-button. The functions provided are described later in this manual.

## DMX-512 CONNECTION

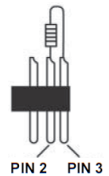
If you are using a standard DMX controller, you can connect the DMX output of the controller directly to the DMX input of the first unit in a DMX chain. Always connect the output of one unit with the input of the next unit until all units are connected.



5-pin XLR DMX Connectors.

Some manufactures use 5-pin DMX-512 data cables for DATA transmission in place of 3-pin. 5-pin DMX fixtures may be implemented in a 3-pin DMX line. When inserting standard 5-pin data cables in to a 3-pin line a cable adaptor must be used. The chart below details a proper cable conversion.

3-Pin XLR to 5-Pin XLR Conversion		
Conductor	3-Pin XLR Female (Out)	5-Pin XLR Male (In)
Ground/Shield	Pin 1	Pin 1
Data Compliment (- signal)	Pin 2	Pin 2
Data True (+ signal)	Pin 3	Pin 3
Not Used		Pin 4 – Do Not Use
Not Used		Pin 5 – Do Not Use



At the last fixture, the DMX cable has to be terminated. Solder a 120 Ohm resistor between signal (-) and signal (+) into a 3-pin XLR connector and plug this into the DMX output of the last fixture in the chain.

## MASTER/SLAVE OPERATION

Master/slave operation

Fixtures in Show Mode can be linked in a chain and set to master/slave operation, where one master fixture running a standalone show controls the behavior of slave fixtures. Two slave modes are available:

- Fixtures in Slave 1 mode copy the master.
- Fixtures in Slave 2 mode are synchronized with the master but have slight variations in behavior.

You must set all the fixtures except one as slaves. If you set more than one fixture in the chain to act as master, you may cause damage that is not covered by the product warranty.

To operate fixtures in master/slave mode:

1. Link fixtures in a chain, using DMX cable to connect one fixture's DMX OUT socket to the next fixture's DMX IN socket.
2. In the MASTER SLAVE menu, set one fixture to MASTER and set all the other fixtures to SLAVE 1 or SLAVE 2.
3. Set the master fixture in the chain to run one of its four standalone shows.
4. Set all the fixtures in the chain to Slave 1 or slave 2.

## USING THE CONTROL MENU

To access the control menus, press the MENU button. Navigate the menu structure using the ENTER, DOWN and UP buttons. To select a menu option or to confirm a selection, press the ENTER button. To return to a higher level in the menu structure without making a change, press the MENU button.

To exit the control menus completely, press and hold the MENU button.

## DMX ADDRESSING

The DMX address, also known as the start channel, is the first channel used to receive instructions from a DMX controller. The fixture is controlled using a minimum of 12 DMX channels (but has an extended mode which uses more channels). Each DMX controlled fixture must have a DMX address set. For example, if the fixture has a DMX address of 10, then it uses channels 10 to 22 inclusive. The following fixture in the DMX chain could then be set to a DMX address of 27.

For independent control, each fixture must be assigned its own control channels. Two fixtures of the same type may share the same address if identical behavior is desired. Address sharing can be useful for diagnostic purposes and symmetric control, particularly when combined with the inverse pan and tilt options.

To set the fixture's DMX address:

1. In the control menu, select DMX "ADDR" and press ENTER to confirm. The present address will blink in the display.
2. Use the UP and DOWN buttons to select an address from 1 to 496 (the top address will vary depending on the DMX mode of the fixture).
3. Press ENTER to confirm your selection.

## DMX CHANNEL MODE

You can control the fixture in two modes:

- Basic (12 channel mode)
- Extended (32 channel mode)

To adjust the setting:

1. Select "CHNd" MODE and press "ENTER". The currently set option will blink in the display.
2. Use the "DOWN" and "UP" buttons to select Basic 16ch (default) or Extended 21ch.
3. Press "ENTER" to save your selection.

## BEHAVIOR WITHOUT DMX (DMX STATE)

The DMX STATE setting determines how the fixture behaves when it is not receiving a DMX signal. You can set the fixture to enter Auto Mode, Sound Mode or black out.

To adjust the setting:

Select "SLNd" and press "ENTER". You can choose between "Mast", "SL1" and "SL2". For use the Auto or sound the fixture must be set on "Mast". When is select "SL1" or "SL2" the fixture is black when without DMX.

2. Use the "Down" or UP buttons to select "Auto" or "Sound" and press "ENTER".
3. When "Auto" you can choose between 4 auto programs select your program with de "Down" and "UP" buttons and press "ENTER".

When "ShNd" (sound programs) you can choose between 4 sound programs select you program with de "Down" and "UP" buttons and press "ENTER".

Note: When using sound program, Select "Soun" and press "ENTER". You can choose between "ON" (sound on) or "OFF" (Sound off) use de "Down" and "UP" buttons and press "ENTER" for confirmation

## PAN/TILT INVERSION

The PAN INVERSE and TILT INVERSE menus can be used to reverse the direction of pan and tilt. These settings are useful for symmetrical effects with multiple fixtures, or when coordinating the movement of fixtures that are floor mounted and rigged upside down. To adjust the pan inversion settings:

1. Select PAN INVERSE and press ENTER to confirm. The currently set mode will blink in the display.
2. Use the DOWN and UP buttons to select YES (tilt inversion) or NO (normal) mode.
3. Press ENTER to save your selection.

To adjust the tilt inversion settings:

1. Select TILT INVERSE and press ENTER to confirm. The currently set mode will blink in the display.
2. Use the DOWN and UP buttons to select YES (tilt inversion) or NO (normal) mode.
3. Press ENTER to save your selection.

## BACKLIGHT

To turn the control panel display backlight on or off:

1. Select LED and press ENTER to confirm. The current mode will blink in the display.
2. Use the DOWN and UP buttons to select ON or OFF.
3. Press ENTER to save your selection.

## AUTO TEST

To perform a complete test of all of the fixture functions:

1. Select "TEST" and press the ENTER button.
2. Press the ENTER button. The fixture will run a self-test routine.

## FIXTURE TIME

To display the fixture's operating hours counter, select "HOUR" and press ENTER. The display will show the number of hours the fixture has been in operation since manufacture. Press MENU to exit.

## FIRMWARE VERSION

To display the fixture's current firmware version, select "UER" and press ENTER. The display will show the version of firmware in the fixture. Press MENU to exit.

## RESET

The fixture resets its motors each time you power it on, but you can also reset the fixture motors manually from the control panel and by DMX. To carry out a manual reset from the control panel, scroll to RESET and press ENTER to reset the fixture, or press MENU to exit without resetting. A reset takes approx. 20 seconds. After this, the fixture returns to its state before the reset. The fixture motors can also be reset by DMX using the Special Function channel.

## HOME POSITION ADJUSTMENT (OFFSET MENU)

If the fixture head does not return to the correct home position even after a reset, you can adjust the home position by defining offsets.

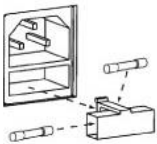
To make the adjustment from the control panel:

1. Reset the fixture motors as described above.
2. While still in menu mode, press and hold ENTER for at least 3 seconds to enter Offset mode.
3. Use the DOWN and UP buttons up to choose PAN or TILT function to adjust.
4. Use the DOWN and UP buttons to adjust the effect's home position.
5. Press ENTER to save your selection (or press MENU to exit without saving any changes).

## REPLACING THE FUSE

If the fuse is defective, replace the fuse with a fuse of the same type and value. Before replacing the fuse, unplug mains lead.

Procedure:



- Step 1: Open the fuse holder on the rear panel with a fitting screwdriver.
- Step 2: Remove the old fuse from the fuse holder.
- Step 3: Install the new fuse in the fuse holder.
- Step 4: Replace the fuse holder in the housing.

## FIXTURE CLEANING

The cleaning of internal and external optical lenses and/or mirrors must be carried out periodically to optimize light output. Cleaning frequency depends on the environment in which the fixture operates: damp, smoky or particularly dirty surrounding can cause greater accumulation of dirt on the unit's optics.

- Make sure the area below the installation place is free from unwanted persons during servicing
- Housings, fixations and installations spots( ceiling, truss, suspensions) should be totally free from any deformation
- The mains cables must be in impeccable condition and should be replaced immediately when even a small problem is detected
- In order to protect the fixture from overheat the cooling fans (if any) and ventilation openings should be cleaned monthly.
- The interior of the fixture should be cleaned annually using a vacuum cleaner or air-jet.
- Clean with soft cloth using normal glass cleaning fluid.
- Always dry the parts carefully.
- Clean the external optics at least every month. Clean the internal optics at least every 30/60 days.

**ATTENTION:** We strongly recommend internal cleaning to be carried out by qualified worker!

Hartelijk dank voor de aanschaf van dit Beamz product. Neemt U a.u.b. een paar momenten de tijd om deze handleiding zorgvuldig te lezen, aangezien wij graag willen dat u onze producten snel en volledig gebruikt.

Lees deze handleiding eerst door alvorens het product te gebruiken. Volg de instructies op anders zou de garantie weleens kunnen vervallen. Neem ook altijd alle veiligheidsmaatregelen om brand en/of een elektrische schok te voorkomen. Tevens is het ook raadzaam om reparaties/ modificaties e.d. over te laten aan gekwalificeerd personeel om een elektrische schok te voorkomen. Bewaar deze handleiding ook voor toekomstig gebruik.

- Bewaar de verpakking zodat u indien het apparaat defect is, dit in de originele verpakking kunt opsturen om beschadigingen te voorkomen.
- Voordat het apparaat in werking wordt gesteld, altijd eerst een deskundige raadplegen. Bij het voor de eerste keer inschakelen kan een bepaalde reuk optreden. Dit is normaal en verdwijnt na een poos.
- In het apparaat bevinden zich onder spanning staande onderdelen; open daarom NOOIT dit apparaat.
- Plaats geen metalen objecten en mors geen vloeistof in het effect. Dit kan leiden tot elektrische schokken of defecten.
- Toestel niet opstellen in de buurt van warmtebronnen zoals radiatoren etc. en niet op een vibrerende ondergrond plaatsen. Dek ventilatieopeningen nooit af.
- Het apparaat is niet geschikt voor continu gebruik.
- Wees voorzichtig met het netsnoer en beschadig deze niet. Als het snoer kapot of beschadigd is, kan dit leiden tot elektrische schokken of defecten.
- Als u de stekker uit het stopcontact neemt, trek dan niet aan het snoer, maar aan de stekker.
- Om brand of elektrische schok te voorkomen, dient u dit apparaat niet bloot te stellen aan regen of vocht.
- Verwijder of plaats een stekker nooit met natte handen resp. uit en in het stopcontact.
- Indien zowel de stekker en/of netsnoer als snoering in het apparaat beschadigd zijn dient dit door een vakman hersteld te worden.
- Indien het apparaat zo beschadigd is dat inwendige (onder)delen zichtbaar zijn mag de stekker NOOIT in het stopcontact worden geplaatst en het apparaat NOOIT worden ingeschakeld. Neem in dit geval contact op met de dealer.
- Sluit het apparaat nooit op een dimmer aan.
- Reparatie aan het apparaat dient te geschieden door een vakman of een deskundige.
- Sluit het apparaat alleen aan op een 220-240VAC/ 50Hz (geaard) stopcontact, verbonden met een 10-16A meterkastgroep.
- Bij onweer altijd de stekker uit het stopcontact halen, zo ook wanneer het apparaat voor een langere tijd niet gebruikt wordt. Stelregel: Bij geen gebruik stekker verwijderen.
- Als u het apparaat lang niet gebruikt heeft en het weer wil gebruiken kan er condens ontstaan; laat het apparaat eerst op kamertemperatuur komen alvorens het weer in werking te stellen.
- Apparaat nooit in vochtige ruimten en buiten gebruiken.
- De behuizing wordt zeer warm, raak deze dan ook niet aan bij gebruik en direct na gebruik.
- Om ongevallen in bedrijven te voorkomen moet rekening worden gehouden met de daarvoor geldende richtlijnen en moeten de aanwijzingen/ waarschuwingen worden gevolgd.
- Zorg voor een extra veiligheidsketting als het product op hoogte wordt gehangen. Gebruik een truss-systeem met montagehaak. Ga nooit onder het product staan bij ophanging. Monteer minimaal 50 cm van brandbare objecten en laat tenminste 1meter vrij aan weerszijden voor een deugdelijke ventilatie.
- Dit apparaat bezit een hoge intensiteit LED; kijk nooit in de LED om oogbeschadigingen te voorkomen.
- Het apparaat buiten bereik van kinderen houden. Bovendien mag het apparaat nooit onbeheerd gelaten worden
- Gebruik geen schoonmaakspray om de schakelaars te reinigen. Restanten van deze spray zorgen ervoor dat smeer en stof ophopen. Raadpleeg bij storing te allen tijde een deskundige.
- Zorg dat uw handen schoon zijn tijdens het gebruik.
- Gebruik geen overmatige kracht bij het bedienen van het apparaat.
- Bij een ongeval met dit product altijd eerst een deskundige raadplegen alvorens opnieuw te gebruiken.
- Tracht het apparaat niet schoon te maken met chemische oplossingen. Dit kan de lak beschadigen. Gebruik een droge doek om schoon te maken.
- Blijf uit de buurt van elektronische apparatuur die bromstoringen zouden kunnen veroorzaken.
- Bij reparatie dienen altijd originele onderdelen te worden gebruikt om onherstelbare beschadigingen en/of ontoelaatbare straling te voorkomen.
- Schakel eerst het apparaat uit voordat u het netsnoer verwijdert. Verwijder netsnoer en aansluitsnoeren voordat u het apparaat gaat verplaatsen.
- Zorg ervoor dat het netsnoer niet beschadigd/defect kan raken wanneer mensen erover heen lopen. Het netsnoer vóór ieder gebruik controleren op breuken/defecten!
- In Nederland/België is de netspanning 220-240Vac/50Hz. Indien u reist (en u neemt het apparaat mee) informeer dan naar de netspanning in het land waar u verblijft.



Deze markering wordt weergegeven om u erop attent te maken dat een levensgevaarlijke spanning in het product aanwezig is en dat bij aanraking van deze delen een elektrische schok wordt verkregen.



Deze instructiemarkering wordt weergegeven om u erop te wijzen dat de instructie zeer belangrijk is om te lezen en/of op te volgen.



**KIJK NOOIT DIRECT IN DE LENS.** Dit kan uw ogen beschadigen. Daarnaast dienen epileptici rekening te houden met de effecten die dit toestel creëert. Dit apparaat is CE goedgekeurd; er mogen geen veranderingen/modificaties worden doorgevoerd; deze kunnen de CE-status te niet doen met alle gevolgen van dien. Tevens vervalt de garantie!

**OPMERKING:** Om zeker te zijn van een correcte werking, dient u dit apparaat in een ruimte te gebruiken waar de temperatuur tussen de 5°C/41°F en 35°C/95°F ligt.



Raadpleeg eventueel [www.wecycle.nl](http://www.wecycle.nl) en/of [www.vrom.nl](http://www.vrom.nl) v.w.b. het afdanken van elektronische apparaten in het kader van de WEEE-regeling. Vele artikelen kunnen worden gerecycled, gooi ze daarom niet bij het huisvuil maar lever ze in bij een gemeentelijk depot of uw dealer. Lever ook afgedankte batterijen in bij uw gemeentelijk depot of bij de dealer, zie [www.stibat.nl](http://www.stibat.nl)

*Alle (defecte) artikelen dienen gedurende de garantieperiode altijd retour te worden gezonden in de originele verpakking. Voer zelf geen reparaties uit aan het apparaat; in elk geval vervalt de totale garantie. Ook mag het apparaat niet eigenmachtig worden gemodificeerd, ook in dit geval vervalt de totale garantie. Ook vervalt de garantie bij ongevallen en beschadigingen in elke vorm t.g.v. onoordeelkundig gebruik en het niet in acht nemen van het gestelde in deze gebruiksaanwijzing. Tevens aanvaardt Beamz geen enkele aansprakelijkheid in geval van persoonlijke ongelukken als gevolg van het niet naleven van veiligheidsinstructies en waarschuwingen. Dit geldt ook voor gevolgschade in welke vorm dan ook.*



## UITPAKKEN

**LET OP!** Onmiddellijk na ontvangst, zorgvuldig uitpakken van de doos, controleer de inhoud om ervoor te zorgen dat alle onderdelen aanwezig zijn en zijn in goede staat zijn ontvangen. Bij transportschade of ontbreken van onderdelen onmiddellijk de verkopende partij inlichten. Bewaar de verpakking en het verpakkingsmateriaal. Indien het product moet worden teruggestuurd, is het belangrijk dat het product in originele verpakking wordt geretourneerd.

Als het apparaat is blootgesteld aan drastische temperatuurverschillen (bv. na het transport), schakel het apparaat niet onmiddellijk in. De ontstane condensatie kan het apparaat beschadigen. Zorg ervoor dat het apparaat op kamertemperatuur komt en steek vervolgens de voeding stekker in het stopcontact/wandcontactdoos.

## AANSLUITSPANNING

Op het label aan de achterzijde van het product staat aangegeven op welke netspanning deze moet worden aangesloten. Controleer of de netspanning hiermee overeenkomt, bij alle andere netspanningen dan aangegeven kan het apparaat onherstelbaar worden beschadigd. Tevens moet het apparaat direct op de netspanning worden aangesloten en mag géén dimmer of regelbare voeding worden gebruikt.



Sluit het apparaat altijd aan op een beschermd circuit (aardlekschakelaar of zekering). Zorg ervoor dat het apparaat voldoende elektrisch is geaard om het risico op elektrocutie of brand te vermijden.

## INSTALLATIE



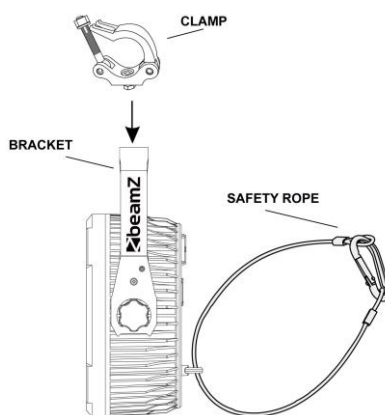
**LET OP:** Het installeren dient conform de wet en gestelde eisen te geschieden! Ook dient het installeren te geschieden door vakbekwaam personeel!



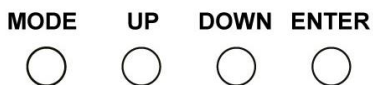
- De constructie van de ophanging dient zo te zijn dat deze 10 keer het gewicht per uur van het product kan dragen.
- Gebruik altijd de meegeleverde bevestigingsbeugel om het product op te hangen.
- Het product dient m.b.v. een montageklem (niet meegeleverd) aan de meegeleverde bevestigingsbeugel te worden bevestigd.
- Het product moet altijd worden gezekeerd d.m.v. veiligheidskabel.
- Zorg ervoor dat geen enkel individu tijdens installatie, reparatie enz. onder het product staat of door kan lopen.
- De gebruiker is verantwoordelijk voor het product, de installatie en de veiligheid van het geheel. Is deze daartoe niet in staat dient altijd een externe deskundige in de arm genomen te worden die het geheel controleert en de verantwoordelijkheid op zich neemt.
- De gebruiker dient minstens eens per jaar het product en de installatie te laten controleren, op veiligheid, technische werking enz., door een externe deskundige.



**LET OP:** Bij de installatie van het apparaat mag geen ontvlambaar materiaal aanwezig zijn (decoratie materiaal, enz.). Houd tenminste 50 cm afstand tot oppervlakken en andere apparatuur!



## DISPLAY



Het bedieningspaneel biedt verschillende mogelijkheden zoals: eenvoudige invoeren van het startadres, voorgeprogrammeerde programma selecteren of een reset. Het hoofdmenu wordt geopend door op de **Mode**-toets, blader door het submenu door **Up** of **Down**-toets.

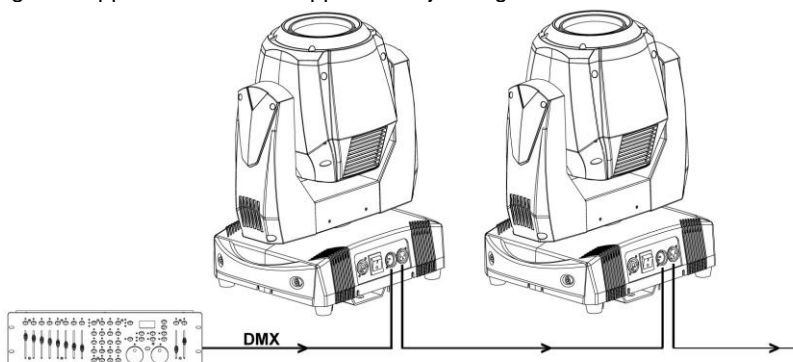
Druk op de **Enter**-toets om het gewenste menu te selecteren.

U kunt de selectie wijzigen door te drukken op de **Up** of **Down**-toets. Bevestig elke keuze door te drukken op de **Enter**-toets.

Je kunt elke modus verlaten door op de **Mode** -toets. De functies worden verderop in de handleiding beschreven.

## DMX-512 AANSLUITEN

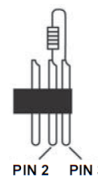
Als u gebruik maakt van een standaard DMX-lichtstuurtafel, kunt u de DMX uitgang van de stuurtafel rechtstreeks aansluiten op de DMX ingang van het eerste DMX apparaat. Sluit altijd de DMX uitgang aan op de eerst volgende DMX ingang van het volgende apparaat totdat alle apparaten zijn aangesloten.



5-polige XLR connector.

Sommige fabrikanten gebruiken 5-polige DMX kabels voor DATA transmissie in plaats van 3-pin. 5-polige DMX armaturen kan in een 3-polige DMX lijn worden uitgevoerd. Bij het plaatsen van standaard 5-polige datakabels in een 3-polige DMX lijn, moet er een verloop worden gebruikt. Onderstaande tabel geeft de details voor de juiste kabelconversie.

3-Pin XLR to 5-Pin XLR Conversion		
Conductor	3-Pin XLR Female (Out)	5-Pin XLR Male (In)
Ground/Shield	Pin 1	Pin 1
Data Compliment (- signal)	Pin 2	Pin 2
Data True (+ signal)	Pin 3	Pin 3
Not Used		Pin 4 – Do Not Use
Not Used		Pin 5 – Do Not Use



Opgelet bij het laatste apparaat, dient u de DMX-lijn af te sluiten met een eindweerstand. Soldeer een 120 Ohm weerstand tussen signaal (-) en signaal (+) in een 3-polige XLR connector en steek deze in de DMX uitgang van het laatste apparaat in de lijn.

## MASTER/SLAVE BEDIENING

Master / slave bediening

Fixtures in Show Mode kunnen aan elkaar worden gekoppeld en ingesteld worden op master / slave bediening, waarbij één master-fixture met een standalone-show de aansturing van slave fixtures regelt. Er zijn twee slave modus beschikbaar:

- Fixtures in de modus Slave 1 kopieert van de master.
- Fixtures in de Slave 2 modus worden gesynchroniseerd met de master, maar vertonen geringe variaties in het gedrag.

U moet alle fixtures als slave instellen behalve één. Als u meer dan één armatuur als master gebruikt in de lijn, kunt u schade veroorzaken die niet wordt gedekt door de productgarantie.

Om armaturen in de master / slave-modus te gebruiken:

1. Verbind de fixtures aan elkaar in 1 lijn, met behulp van de DMX kabel gebruik de DMX uit van de master naar de DMX in van de slave fixture.
2. Stel in het MASTER SLAVE-menu één fixture in op MASTER en stel alle andere fixtures in op SLAVE 1 of SLAVE 2.
3. Stel de master fixture in 1 van de vier stand alone shows.
4. Stel alle andere fixtures in de keten in op Slave 1 of slave 2.

## GEBRUIK VAN HET CONTROLE MENU

Druk op de MENU-knop om naar de bedieningsmenu's te gaan. Navigeer door de menustructuur met de knoppen ENTER, DOWN en UP. Druk op de knop ENTER om een menuoptie te selecteren of om een selectie te bevestigen. Om terug te keren naar een hoger niveau in de menustructuur zonder een wijziging aan te brengen, drukt u op de MENU-knop.

Om de bedieningsmenu's volledig te verlaten, houdt u de knop MENU ingedrukt.

## DMX ADDRESSERING

Het DMX adres, ook wel het startkanaal genoemd, is het eerste kanaal dat wordt gebruikt om instructies van een DMX controller te ontvangen. De fixture wordt bestuurd met behulp van minimaal 16 DMX-kanalen (maar heeft een uitgebreide modus die meer kanalen gebruikt). Elke DMX-gestuurde fixture moet een DMX-adres hebben ingesteld. Als de fixture bijvoorbeeld een DMX-adres van 10 heeft, gebruikt het kanaal 10 tot en met 22. De volgende fixture in de DMX lijn kan dan worden ingesteld op een DMX-adres van 23.

Voor onafhankelijke besturing moet elk fixture zijn eigen besturingskanalen toegewezen krijgen. Twee fixtures van hetzelfde type kunnen hetzelfde adres delen als identiek gedrag gewenst is. Het delen van adressen kan handig zijn voor diagnostische doeleinden en symmetrische controle, vooral in combinatie met de inverse pan- en tilt-opties.

Om het DMX-adres van de fixture in te stellen:

1. Selecteer DMX "ADDR" in het bedieningsmenu en druk op ENTER om te bevestigen. Het huidige adres knippert op het display.
2. Gebruik de knoppen Up en Down om een adres van 1 tot 496 te selecteren (het bovenste adres is afhankelijk van de DMX-modus van het armatuur).
3. Druk op ENTER om uw selectie te bevestigen.

## DMX CHANNEL MODUS

U kunt de fixture in twee modus besturen:

- Basis (12-kanaalsmodus)
- Uitgebreid (32-kanaalsmodus)

Om de instelling aan te passen:

1. Selecteer "CHNd" MODE en druk op "ENTER". De momenteel ingestelde optie knippert op het display.
2. Gebruik de "DOWN" - en "UP" knoppen om Basic 16ch (standaard) of Extended 21ch te selecteren.
3. Druk op "ENTER" om uw selectie op te slaan.

## GEDRAG ZONDER DMX (DMX STATE)

De DMX STATE instelling bepaalt hoe de fixture zich gedraagt wanneer deze geen DMX-sigitaal ontvangt. U kunt de fixture instellen op Auto Mode, Sound Mode of Black Out.

Om de instelling aan te passen:

Selecteer "SLNd" en druk op "ENTER". U kunt kiezen tussen "Mast", "SL1" en "SL2". Voor gebruik van Auto of geluid moet de fixture op "Mast" worden ingesteld. Wanneer is geselecteerd "SL1" of "SL2" de armatuur zal naar zijn home positie gaan wanneer zonder DMX.

2. Gebruik de "Down" of "UP" knoppen om "Auto" of "Geluid" te selecteren en druk op "ENTER".
3. Als u "Auto" kiest kunt u uit 4 automatische programma's kiezen, selecteert u uw programma met de "Down" en "UP" knoppen en drukt u op "ENTER".

Opmerking: Wanneer u een geluidsprogramma gebruikt, selecteert u "Soun" en drukt u op "ENTER". U kunt kiezen tussen "AAN" (geluid aan) of "UIT" (Geluid uit) gebruik de knoppen "Down" en "UP" en druk op "ENTER" om te bevestigen

## PAN / TILT INVERSIE

De PAN INVERSE en TILT INVERSE menu's kunnen worden gebruikt om de richting van pan en tilt om te keren. Deze instellingen zijn handig voor symmetrische effecten met meerdere fixtures, of bij het coördineren van de beweging van fixtures die op de vloer zijn gemonteerd en ondersteboven zijn gemonteerd.

Om de pan inversie instellingen aan te passen:

1. Selecteer PAN INVERSE en druk op ENTER om te bevestigen. De momenteel ingestelde modus knippert op het display.
2. Gebruik de DOWN en UP knoppen om de YES (tilt inversion) of NO (normaal) modus te selecteren.
3. Druk op ENTER om uw selectie op te slaan.

De instellingen voor de tilt inversie instellingen aan te passen:

1. Selecteer TILT INVERSE en druk op ENTER om te bevestigen. De momenteel ingestelde modus knippert op het display.
2. Gebruik de DOWN en UP knoppen om de YES (tilt inversion) of NO (normaal) modus te selecteren.
3. Druk op ENTER om uw selectie op te slaan.

## BACKLIGHT

De achtergrondverlichting van het bedieningspaneel in- of uitschakelen:

1. Selecteer "LED" en druk op ENTER om te bevestigen. De huidige modus knippert op het display.
2. Gebruik de DOWN en UP knoppen om ON of OFF te selecteren.
3. Druk op ENTER om uw selectie op te slaan.

## AUTO TEST

Om een volledige test van alle fixture-functies uit te voeren:

1. Selecteer "TEST" en druk op de knop ENTER.
2. Druk op de knop ENTER. De fixture voert een zelf test routine uit.

## FIXTURE TIME

Om de bedrijfsuren teller van de fixture weer te geven, selecteert u "HOUR" en drukt u op ENTER. Het display toont het aantal uren dat het armatuur in bedrijf is sinds de fabricage. Druk op MENU om af te sluiten.

## FIRMWARE VERSIE

Om de huidige firmwareversie van de fixture weer te geven, selecteert u "UER" en drukt u op ENTER. Het display toont de versie van de firmware in de fixture. Druk op MENU om af te sluiten.

## RESET

De fixture reset zijn motoren elke keer dat u hem inschakelt, maar u kunt ook de fixture motoren handmatig resetten via het bedieningspaneel en DMX. Als u handmatig opnieuw wilt instellen via het bedieningspaneel, gaat u naar RESET en drukt u op ENTER om de fixture te resetten of op MENU om af te sluiten zonder de fixture te resetten. Een reset duurt ongeveer 20 seconden. Hierna keert de fixture terug naar zijn toestand vóór de reset.

De armatuur motoren kunnen ook worden gereset door DMX met behulp van het speciale functiekanaal.

## POSITIECORRECTIE HOME (OFFSET-MENU)

Als de movinghead zelfs na een reset niet naar de juiste uitgangspositie terugkeert, kunt u de uitgangspositie aanpassen door offsets te definiëren.

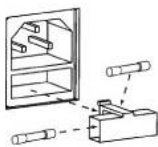
Om de aanpassing vanaf het bedieningspaneel te maken:

1. Stel de armatuurmotoren opnieuw in zoals hierboven beschreven.
2. Houd, terwijl u nog steeds in de modus bent, ENTER ingedrukt gedurende minstens 3 seconden om de offset-modus te activeren.
3. Gebruik de Down en Up knoppen om de PAN- of TILT functie te selecteren om aan te passen.
4. Gebruik de DOWN en UP toetsen om de beginpositie van het effect aan te passen.
5. Druk op ENTER om uw selectie op te slaan (of druk op MENU om af te sluiten zonder de wijzigingen op te slaan).

## VERVANGEN ZEKERING

Indien de zekering defect is, dient u de zekering te vervangen door een zekering van hetzelfde type en waarde. Voor het vervangen van de zekering, schakel eerst de stroom uit en volg de onderstaande stappen.

Procedure:



- Stap 1: Open de zekeringhouder op het achter paneel met een passende platte schroevendraaier.
- Stap 2: Verwijder de oude zekering uit de zekeringhouder.
- Stap 3: Installeer de nieuwe zekering in de zekeringhouder.
- Stap 4: Plaats de zekeringhouder in de behuizing.

## ONDERHOUD

Het reinigen van inwendige en uitwendige optische lenzen en / of spiegels moet regelmatig worden uitgevoerd om de lichtbrenghoek te optimaliseren. Reinigingsfrequentie is afhankelijk van de omgeving waarin het armatuur wordt gebruikt: een klamme, rokerige of bijzonder vuile omgeving kan een grotere opeenhoping van vuil veroorzaken op de optische uitrusting.

- Zorg er voor dat gedurende het onderhoud zich geen individuen bevinden onder het apparaat.
- Schakel het apparaat uit, trek de stekker uit het stopcontact en wacht tot het apparaat is afgekoeld.
- Behuizing, bevestiging en installaties (plafond, truss, ophanging) moeten van deugdelijke aard zijn.
- Het netsnoer mag niet beschadigd zijn en moet direct vervangen worden, ook bij kleine defecten.
- Om het apparaat te beschermen tegen oververhitting dienen ventilatoren en ventilatie openingen iedere maand gereinigd te worden.
- De lens en spiegels dienen periodiek gereinigd te worden. Deze periode is afhankelijk van de aanwezige viezigheid.
- Alleen reinigen met een droge doek, gebruik geen reinigingsmiddelen.
- Modificaties door de fabrikant worden zonder u op de hoogte te brengen doorgevoerd.

**LET OP:** Wij adviseren u het reinigen en servicen van het apparaat uit te laten voeren door een vakbekwaam persoon.

# DEUTSCH

Vielen Dank für den Kauf dieses Beamz gerat. Nehmen Sie sich einen Augenblick Zeit, um diese Anleitung sorgfältig durchzulesen, damit sie die Möglichkeiten, die unser Produkt bietet, sofort voll ausnutzen können. Lesen Sie erst die Anleitung vollständig vor der ersten Inbetriebnahme durch. Befolgen Sie die Anweisung, da sonst jeglicher Garantieanspruch verfällt. Treffen Sie stets alle Sicherheitsvorkehrungen um Feuer und/oder Stromschlag zu vermeiden. Reparaturen dürfen nur von qualifiziertem Fachpersonal ausgeführt werden, um Stromschlag zu vermeiden. Bewahren Sie diese Anleitung für spätere Bezugnahme auf.

- Bewahren Sie die Verpackung auf, um das Gerät im Bedarfsfall sicher transportieren zu können.
- Bevor das Gerät in Betrieb genommen wird, muss es erst von einem Fachmann überprüft werden. Bei der ersten Benutzung kann etwas Geruch auftreten. Das ist normal und verschwindet nach einer Weile
- Das Gerät enthält unter Spannung stehende Teile. Daher NIEMALS das Gehäuse öffnen.
- Keine Metallgegenstände oder Flüssigkeiten ins Gerät dringen lassen. Sie können zu Stromschlag und Defekten führen.
- Gerät nicht in der Nähe von Wärmequellen wie Heizkörpern aufstellen. Nicht auf eine vibrierende Oberfläche stellen. Niemals die Belüftungsschlitze abdecken.
- Das Gerät ist nicht für Dauerbetrieb geeignet.
- Gehen Sie vorsichtig mit dem Netzkabel um und beschädigen Sie es nicht. Eine beschädigte Netzschnur kann zu Stromschlag und Defekten führen.
- Wenn Sie das Gerät vom Netz trennen, immer am Stecker ziehen, niemals an der Schnur.
- Um Feuer und Stromschlag zu vermeiden, das Gerät vor Regen und Feuchtigkeit schützen.
- Den Stecker nie mit nassen Händen in eine Netzsteckdose stecken oder abziehen.
- Wenn sowohl der Stecker und/oder die Netzschnur bzw. der Kabeleintritt ins Gerät beschädigt sind, müssen sie von einem Fachmann repariert werden.
- Wenn das Gerät so beschädigt ist, dass Innenteile sichtbar sind, darf der Stecker NICHT in eine Steckdose gesteckt werden und das Gerät darf NICHT eingeschaltet werden. Wenden Sie sich in dem Fall an Ihren Fachhändler. Das Gerät darf nicht an einen Dimmer angeschlossen werden.
- Reparaturen dürfen nur von einem Fachmann oder Sachverständigen ausgeführt werden.
- Das Gerät nur an eine geerdete 10-16A Netzsteckdose mit 220-240V AC/50Hz Spannung anschließen.
- Bei Gewitter oder längerem Nichtgebrauch den Netzstecker abziehen. Die Regel gilt: Bei Nichtgebrauch Netzstecker abziehen.
- Wenn das Gerät längere Zeit nicht benutzt wurde, kann sich Kondenswasser gebildet haben. Lassen Sie das Gerät erst auf Zimmertemperatur kommen, bevor Sie es einschalten.
- Das Gerät nicht in feuchten Räumen oder im Freien benutzen.
- Das Gehäuse wird sehr warm. Während des Betriebs und gleich danach nicht das Gehäuse anfassen.
- Um Unfällen in der Öffentlichkeit vorzubeugen, müssen die geltenden Richtlinien beachtet und die Anweisungen/Warnungen befolgt werden.
- Wenn das Gerät an der Decke befestigt werden soll, muss es mit einer zusätzlichen Sicherheitskette abgesichert werden. Benutzen Sie ein Traversen system mit Haken. Während der Montage darf sich niemand im Bereich darunter aufhalten. Das Gerät muss mindestens 50cm von brennbaren Materialien entfernt angebracht werden. Lassen Sie einen Mindestabstand von 1m an jeder Seite des Geräts frei, um ausreichende Kühlung zu gewährleisten.
- Das Gerät besitzt eine hochintensive LED. Niemals direkt in die LED blicken, um die Augen nicht zu beschädigen.
- Niemals das Gerät kurz hintereinander ein- und ausschalten. Dadurch verkürzt sich die Lebensdauer erheblich.
- Das Gerät außerhalb der Reichweite von Kindern halten. Das Gerät niemals unbeaufsichtigt lassen.
- Die Regler nicht mit Reinigungssprays reinigen. Diese hinterlassenen Rückstände, die zu Staub- und Fettansammlungen führen. Bei Störungen immer einen Fachmann um Rat fragen.
- Das Gerät nur mit sauberen Händen bedienen.
- Das Gerät nicht mit Gewalt bedienen.
- Nach einem Unfall mit dem Gerät immer erst einen Fachmann um Rat fragen, bevor Sie es wieder einschalten.
- Keine chemischen Reinigungsmittel benutzen, die den Lack beschädigen. Das Gerät nur mit einem trockenen Tuch abwischen.
- Nicht in der Nähe von elektronischen Geräten benutzen, die Brummstörungen verursachen können.
- Bei Reparaturen nur die Original-Ersatzteile verwenden, um starke Schäden und/oder gefährliche Strahlungen zu vermeiden.
- Bevor Sie das Netz- und/oder Anschlusskabel abziehen, erst das Gerät ausschalten. Netz- und Anschlusskabel abziehen, bevor Sie das Gerät umstellen.
- Sorgen Sie dafür, dass das Netzkabel nicht beschädigt werden kann, wenn Menschen darüber laufen. Das Netzkabel vor jedem Einsatz auf Brüche/Schadstellen überprüfen.
- In Deutschland beträgt die Netzspannung 220-240V AC / 50Hz. Wenn Sie das Gerät auf Reisen mitnehmen, prüfen Sie, ob die örtliche Netzspannung den Anforderungen des Geräts entspricht.



Dieses Zeichen weist den Benutzer darauf hin, dass lebensgefährliche Spannungen im Gerät anliegen, die bei Berührung einen Stromschlag verursachen.



Dieses Zeichen lenkt die Aufmerksamkeit des Benutzers auf wichtige Hinweise in der Anleitung hin, die unbedingt eingehalten werden müssen.



**NIEMALS DIREKT IN DIE LINSE BLICKEN.** Dies können Ihre Augen verletzen. Epileptiker müssen die Auswirkungen berücksichtigen, die die Effekte dieses gerat auf ihre Gesundheit haben können. Das Gerät ist CE geprüft. Daher dürfen KEINE Veränderungen vorgenommen werden. Außerdem verfällt bei Veränderungen am Gerät jeglicher Garantieanspruch!

**HINWEIS:** Um einen einwandfreien Betrieb zu gewährleisten, muss die Raumtemperatur zwischen 5°C/41°F und 35°C/95° liegen.



Tronios BV Registrierungsnummer : DE51181017 (ElektroG). Dieses Produkt darf am Ende seiner Lebensdauer nicht über den normalen Haushaltsabfall entsorgt werden, sondern muss an einem Sammelpunkt für das Recycling abgegeben werden. Hiermit leisten Sie einen wichtigen Beitrag zum Schutze unserer Umwelt.

Tronios BV Registrierungsnummer : 21003000 (BatterieG). (Lithium)Batterien und Akkupacks sollten nur im entladenen Zustand in die Altbatteriesammelgefäße bei Handel und bei öffentlich-rechtlichen Entsorgungsträgern gegeben werden. Bei nicht vollständig entladenen Batterien Vorsorge gegen Kurzschluß treffen durch Isolieren der Pole mit Klebestreifen. Der Entnutzer ist zur Rückgabe von Altbatterien gesetzlich verpflichtet.

Reparieren Sie das Gerät niemals selbst und nehmen Sie niemals eigenmächtig Veränderungen am Gerät vor. Sie verlieren dadurch den Garantieanspruch. Der Garantieanspruch verfällt ebenfalls bei Unfällen und Schäden in jeglicher Form, die durch unsachgemäßen Gebrauch und Nichtbeachtung der Warnungen und Sicherheitshinweise in dieser Anleitung entstanden sind. Beamz ist in keinem Fall verantwortlich für persönliche Schäden in Folge von Nichtbeachtung der Sicherheitsvorschriften und Warnungen. Dies gilt auch für Folgeschäden jeglicher Form.

## AUSPACKEN

Packen Sie das Gerät sofort nach Empfang aus und prüfen Sie den Inhalt. Wenn Teile fehlen oder beschädigt sind, benachrichtigen Sie sofort den Spediteur und bewahren Sie die Verpackung auf. Falls ein Gerät ins Werk zurückgeschickt werden muss, ist es wichtig, dass es in der Originalverpackung versandt wird.

Das Gerät darf nicht in Betrieb genommen werden, nachdem es von einem kalten in einen warmen Raum gebracht wurde. Das dabei entstehende Kondenswasser kann unter Umständen Ihr Gerät zerstören. Lassen Sie das Gerät solange uneingeschaltet, bis es Zimmertemperatur erreicht hat!

## NETZANSCHLUSS

Die benötigte Versorgungsspannung steht auf dem Typenschild auf der Rückseite des Geräts. Die angegebenen Stromwerte entsprechen einem Durchschnittswert bei normalem Betrieb. Alle Geräte müssen direkt ans Netz angeschlossen werden und dürfen nicht über Dimmerpacks geschaltet werden. Bevor Sie eine Spannung anlegen, prüfen Sie, ob der Wert der zulässigen Spannung entspricht.



Verbinden Sie immer das Gerät an einem geschützten Schaltkreis (Leistungsschalter oder Sicherung). Stellen Sie sicher, das Gerät ist elektrisch geerdet, um das Risiko eines Stromschlags oder Feuer zu vermeiden.

## INSTALLATION



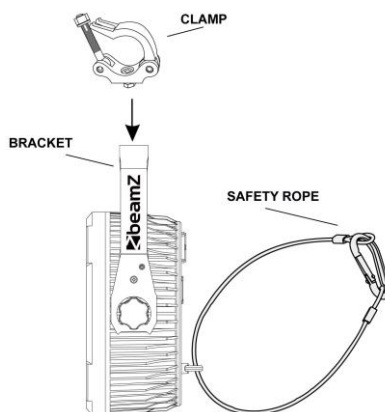
**VORSICHT:** Bitte beachten Sie die entsprechende nationale Gesetzgebung während der Montage! Die Installation darf nur von befugten Angestellten oder Fachleuten ausgeführt werden.



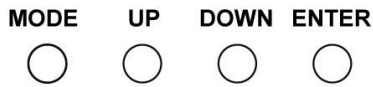
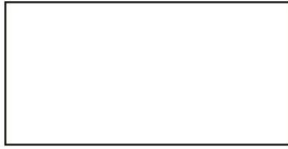
- Die Aufhängung des Geräts muss 10-mal das Eigengewicht 1 Stunde lang ohne Spuren von Verformung tragen können.
- Verwenden Sie immer das mitgelieferte Montagebügel, um das Gerät zu hängen.
- Das Gerät darf nur über den Montagebügel (nicht enthalten) an der mitgelieferten Hänge-/Befestigungsbügel installiert werden.
- Das Gerät muss immer mit Hilfe von Sicherheitsseil gesichert werden.
- Die Anlage muss immer mit einer zweiten Sicherheitsvorrichtung z.B. einem geeigneten Fallnetz/Sicherungsseil abgesichert werden. Die zweite Sicherheitsvorrichtung muss so gebaut sein, dass keine Teile des Geräts auf den Boden fallen können, falls die Hauptbefestigung nachgibt.
- Achten Sie drauf, dass sich während der Montage, Demontage und Wartung keine Personen unter dem Montageplatz befinden.
- Der Benutzer muss sicherstellen, dass alle sicherheitstechnischen Anlagen von einem Fachmann geprüft werden, bevor er die Anlage zum ersten Mal in Betrieb nimmt oder nach Änderungen der Anlage.
- Der Benutzer muss sicherstellen, dass die Anlage einmal im Jahr von einem Fachmann geprüft wird.
- Das Gerät muss an einem Ort angebracht werden, wo es nicht von Personen erreicht werden kann und wo sich keine Personen weder stehend noch sitzend aufhalte.



**VORSICHT:** Beim Installieren des Geräts darauf achten, dass sich keine brennbaren Materialien (Dekorationsartikel usw.) in weniger als 0,5m Entfernung befinden.



## DISPLAY



Die Konsole bietet verschiedene Funktionen wie: einfache Eingabe der Startadresse, wählen Sie Preset-Programm oder ein Reset. Das Hauptmenü wird durch Drücken der **Mode**-Taste aufgerufen, blättern Sie durch die Untermenüs durch **Up** oder **Down**-Taste.

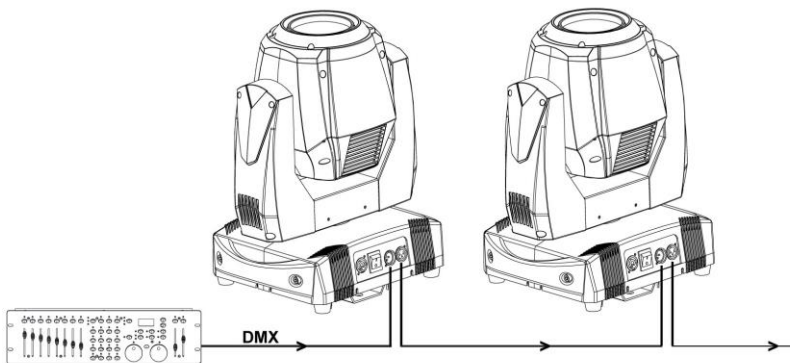
Drücken Sie die **Enter**-Taste, um das gewünschte Menü auszuwählen.

Sie können die Auswahl mit der Taste **Up** oder **Down**, ändern. Bestätigen Sie jede Auswahl mit der **Enter**-Taste.

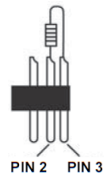
Sie können jeden Modus durch Drücken der **Mode**-Taste verlassen. Die Funktionen werden später in dieser Gebrauchsanleitung beschrieben.

## DMX-512 ANSCHLUSS

Wenn Sie einen standard Controller verwenden, können Sie den DMX-Ausgang des Controllers direkt mit dem DMX-Eingang des ersten Gerätes der DMX-Kette verbinden. Verbinden Sie immer einen Ausgang mit dem Eingang des nächsten Gerätes bis alle Geräte angeschlossen sind. Sollen DMX-Controller mit 5-polige XLR-Ausgängen angeschlossen werden, müssen 5-polige nach 3-polige Adapter verwendet werden.



3-Pin XLR 5-Pin XLR Konvertierung		
	3-Pin XLR Female (Out)	5-Pin XLR Male (In)
Masse / Schirm	Pin 1	Pin 1
Data (- signal)	Pin 2	Pin 2
Data (+ signal)	Pin 3	Pin 3
Nicht benutzt		Pin 4
Nicht benutzt		Pin 5



Achtung, Am letzten Gerät muss das DMX-Kabel durch einen Abschlusswiderstand abgeschlossen werden. Dazu wird ein XLR-Stecker in den DMX-Ausgang am letzten Gerät gesteckt, bei dem zwischen Signal (-) und Signal (+) ein 120 Ohm Widerstand eingelötet ist.

## MASTER/SLAVE-BETRIEB

Geräte im Show-Modus können in einer Kette miteinander verbunden und auf Master/Slave-Betrieb eingestellt werden, wobei ein Master-Gerät, das eine Standalone-Show betreibt, das Verhalten der Slave-Geräte steuert. Es stehen zwei Slave-Modi zur Verfügung:

Geräte im Slave 1 Modus kopieren den Master.

Geräte im Slave 2 Modus sind mit dem Master synchronisiert, haben aber leichte Abweichungen im Verhalten.

Sie müssen alle Geräte außer einem als Slaves einstellen. Wenn Sie mehr als ein Gerät in der Kette als Master einstellen, können Sie Schäden verursachen, die nicht von der Produktgarantie abgedeckt sind.

Für den Betrieb von Geräten im Master/Slave-Betrieb:

1. Verbinden Sie Geräte in einer Kette, indem Sie mit Hilfe eines DMX-Kabels die DMX OUT-Buchse eines Geräts mit der DMX IN-Buchse des nächsten Geräts verbinden.
2. Stellen Sie im Menü MASTER SLAVE ein Gerät auf MASTER und alle anderen Geräte auf SLAVE 1 oder SLAVE 2.
3. Stellen Sie das Mastergerät in der Kette so ein, dass es eine der vier eigenständigen Shows ausführt.
4. Setzen Sie alle Geräte in der Kette auf Slave 1 oder Slave 2.

## ÜBER DAS BEDIENMENÜ

Drücken Sie die MENU-Taste, um auf die Menüs zuzugreifen. Navigieren Sie mit den Tasten ENTER, DOWN und UP durch die Menüstruktur. Um eine Menüoption auszuwählen oder eine Auswahl zu bestätigen, drücken Sie die ENTER-Taste. Um zu einer höheren Ebene in der Menüstruktur zurückzukehren, ohne eine Änderung vorzunehmen, drücken Sie die MENU-Taste.

Um die Kontrollmenüs vollständig zu verlassen, halten Sie die MENU-Taste gedrückt.

## DMX ADDRESSING

Die DMX-Adresse, auch Startkanal genannt, ist der erste Kanal, über den Befehle von einem DMX-Controller empfangen werden. Das Gerät wird mit mindestens 12 DMX-Kanälen angesteuert (hat aber einen erweiterten Modus, der mehr Kanäle verwendet). Jedes DMX-gesteuerte Gerät muss über eine DMX-Adresse verfügen. Wenn das Gerät z.B. eine DMX-Adresse von 10 hat, dann verwendet es die Kanäle 10 bis einschließlich 22. Das folgende Gerät in der DMX-Kette könnte dann auf eine DMX-Adresse von 23 eingestellt werden.

Für eine unabhängige Steuerung muss jedem Gerät ein eigener Steuerkanal zugeordnet werden. Zwei Geräte des gleichen Typs können sich die gleiche Adresse teilen, wenn ein identisches Verhalten gewünscht wird. Address Sharing kann für Diagnosezwecke und symmetrische Steuerung nützlich sein, insbesondere in Kombination mit den inversen Pan- und Tilt-Optionen.

Zum Einstellen der DMX-Adresse des Geräts:

1. Wählen Sie im Steuerungsmenü DMX "ADDR" und bestätigen Sie mit ENTER. Die aktuelle Adresse blinkt im Display.
2. Verwenden Sie die Tasten UP und DOWN, um eine Adresse von 1 bis 496 auszuwählen (die oberste Adresse variiert je nach DMX-Modus des Geräts).
3. Drücken Sie ENTER, um Ihre Auswahl zu bestätigen.

## DMX KANAL MODUS

Sie können das Gerät in zwei Modi steuern:

- Basic (12-Kanal-Modus)
- Erweitert (32-Kanal-Modus)

Zum Einstellen der Einstellung:

1. Wählen Sie "CHNd" MODE und drücken Sie "ENTER". Die aktuell eingestellte Option blinkt im Display.
2. Verwenden Sie die Tasten "DOWN" und "UP", um Basic 16ch (Standard) oder Extended 21ch zu wählen.
3. Drücken Sie "ENTER", um Ihre Auswahl zu speichern.

## VERHALTEN OHNE DMX (DMX STATE)

Die Einstellung DMX STATE bestimmt, wie sich das Gerät verhält, wenn es kein DMX-Signal empfängt. Sie können das Gerät so einstellen, dass es in den Auto-Modus, den Sound-Modus oder in den Black-Out-Modus wechselt.

Zum Einstellen der Einstellung:

Wählen Sie "SLNd" und drücken Sie "ENTER". Sie können zwischen "Mast", "SL1" und "SL2" wählen. Für die Verwendung von Auto oder Sound muss das Gerät auf "Mast" eingestellt sein. Wenn "SL1" oder "SL2" gewählt wird, ist das Gerät schwarz, wenn es ohne DMX ist.

2. Wählen Sie mit den Tasten "Down" oder "UP" die Option "Auto" oder "Sound" aus und drücken Sie "ENTER".
3. Bei "Auto" können Sie zwischen 4 Autoprogrammen wählen, wählen Sie Ihr Programm mit den Tasten "Down" und "UP" und drücken Sie "ENTER".

Bei "ShNd" (Soundprogramme) können Sie zwischen 4 Soundprogrammen wählen, wählen Sie Ihr Programm mit den Tasten "Down" und "UP" und drücken Sie "ENTER".

Hinweis: Bei Verwendung des Soundprogramms wählen Sie "Sound" und drücken Sie "ENTER". Sie können zwischen "ON" (Ton ein) und "OFF" (Ton aus) wählen. Verwenden Sie dazu die Tasten "Down" und "UP" und drücken Sie zur Bestätigung "ENTER".

## PAN/TILT INVERSE

Mit den Menüs PAN INVERSE und TILT INVERSE können Sie die Drehrichtung von Pan und Tilt umkehren. Diese Einstellungen sind nützlich bei symmetrischen Effekten mit mehreren Geräten oder bei der Koordination der Bewegung von Geräten, die auf dem Boden montiert und auf dem Kopf stehend montiert sind. Zum Anpassen der Pan-Inversionseinstellungen:

1. Wählen Sie PAN INVERSE und drücken Sie zur Bestätigung ENTER. Der aktuell eingestellte Modus blinkt im Display.
2. Verwenden Sie die Tasten DOWN und UP, um den Modus YES (Tilt-Inversion) oder NO (Normal) zu wählen.
3. Drücken Sie ENTER, um Ihre Auswahl zu speichern.

Zum Anpassen der Einstellungen für die Neigungsinversion:

1. Wählen Sie TILT INVERSE und drücken Sie zur Bestätigung ENTER. Der aktuell eingestellte Modus blinkt im Display.
2. Verwenden Sie die Tasten DOWN und UP, um den Modus YES (Tilt-Inversion) oder NO (Normal) zu wählen.
3. Drücken Sie ENTER, um Ihre Auswahl zu speichern.

## BACKLIGHT

Zum Ein- und Ausschalten der Hintergrundbeleuchtung des Bedienfelds:

1. Wählen Sie LED und drücken Sie ENTER zur Bestätigung. Der aktuelle Modus blinkt in der Anzeige.
2. Verwenden Sie die Tasten DOWN und UP, um ON oder OFF zu wählen.
3. Drücken Sie ENTER, um Ihre Auswahl zu speichern.



## AUTO TEST

Um einen kompletten Test aller Funktionen des Geräts durchzuführen:

1. Wählen Sie "TEST" und drücken Sie die ENTER-Taste.
2. Drücken Sie die ENTER-Taste. Das Gerät führt einen Selbsttest durch.

## FIXTURE TIME

Um den Betriebsstundenzähler des Geräts anzuzeigen, wählen Sie "HOUR" und drücken Sie ENTER. Auf dem Display wird die Anzahl der Stunden angezeigt, die das Gerät seit der Herstellung in Betrieb war. Drücken Sie MENU, um das Menü zu verlassen.

## FIRMWARE-VERSION

Um die aktuelle Firmware-Version des Geräts anzuzeigen, wählen Sie "UER" und drücken Sie ENTER. Auf dem Display wird die Firmware-Version des Geräts angezeigt. Drücken Sie MENU, um das Menü zu verlassen.

## RESET

Das Gerät setzt seine Motoren jedes Mal zurück, wenn Sie es einschalten, aber Sie können die Gerätemotoren auch manuell über das Bedienfeld und über DMX zurücksetzen. Um einen manuellen Reset über das Bedienfeld durchzuführen, scrollen Sie zu RESET und drücken Sie ENTER, um das Gerät zurückzusetzen, oder drücken Sie MENU, um das Gerät ohne Reset zu verlassen. Ein Reset dauert ca. 20 Sekunden. Danach kehrt das Gerät in den Zustand vor dem Reset zurück. Über den Kanal Special Function können die Gerätemotoren auch per DMX zurückgesetzt werden.

## EINSTELLUNG DER HOME-POSITION (OFFSET-MENÜ)

Wenn der Leuchtenkopf auch nach einem Reset nicht in die richtige Grundstellung zurückkehrt, können Sie die Grundstellung durch die Definition von Offsets anpassen.

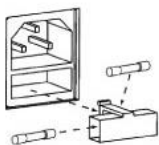
Um die Einstellung über das Bedienfeld vorzunehmen:

1. Setzen Sie die Gerätemotoren wie oben beschrieben zurück.
2. Während Sie sich noch im Menü-Modus befinden, halten Sie ENTER mindestens 3 Sekunden lang gedrückt, um in den Offset-Modus zu gelangen.
3. Verwenden Sie die Tasten DOWN und UP, um die PAN- oder TILT-Funktion auszuwählen, die Sie einstellen möchten.
4. Verwenden Sie die Tasten DOWN und UP, um die Home-Position des Effekts einzustellen.
5. Drücken Sie ENTER, um Ihre Auswahl zu speichern (oder drücken Sie MENU, um das Menü zu verlassen, ohne die Änderungen zu speichern).

## SICHERUNGSWECHSEL

Wenn die Feinsicherung des Gerätes defekt ist, darf diese nur durch eine Sicherung gleichen Typs ersetzt werden. Vor dem Sicherungswechsel ist das Gerät allpolig von der Netzspannung zu trennen (Netzsteckerziehen).

Vorgehensweise:



- Schritt 1: Öffnen Sie den Sicherungshalter an der Geräterückseite mit einem passenden Schraubendreher.
- Schritt 2: Entfernen Sie die defekte Sicherung aus dem Sicherungshalter.
- Schritt 3: Setzen Sie die neue Sicherung in den Sicherungshalter ein.
- Schritt 4: Setzen Sie den Sicherungshalter wieder im Gehäuse ein.

## REINIGUNG UND WARTUNG

Der inneren und äußeren optischen Linsen und / oder Spiegel müssen regelmäßig gereinigt werden, um die Lichtleistung zu optimieren. Die Häufigkeit der Reinigung hängt von der Umgebung, in der das: feuchte, verrauchte und besonders verschmutzte Umgebung führen zu größerer Verschmutzung auf den Linsen des Geräts verursachen.

- Stellen Sie sicher, dass der Bereich unterhalb des Geräts befinden sich keine unbefugten Personen im Servicefall.
- Alle Schrauben, mit denen das Gerät oder Geräteteile montiert sind, müssen fest sitzen und dürfen nicht korrodiert sein.
- An Gehäuse, Befestigungen und Montageort (Decke, Abhängung, Traverse) dürfen keine Verformungen sichtbar sein.
- Die elektrischen Anschlussleitungen dürfen keinerlei Beschädigungen, Materialalterung (z.B. poröse Leitungen) oder Ablagerungen aufweisen. Um den Laser vor Überhitzung Lüfter und Lüftungsschlitze sollten monatlich gereinigt werden, zu schützen.
- Das Objektiv und Spiegel sollten regelmäßig gereinigt werden. Diese Zeit ist abhängig von der vorhandenen Schmutz.
- Reinigen Sie es nur mit einem trockenen Tuch.
- Auf keinen Fall Alkohol oder irgendwelche Lösungsmittel zur Reinigung verwenden!
- Reinigen Sie das Objektiv sauber mindestens einmal im Monat.
- Änderungen, ohne dass Sie den vom Hersteller geändert informieren.

**ACHTUNG:** Wartungs- und Servicearbeiten sind ausschließlich dem autorisierten Fachhandel vorbehalten!

Enhorabuena por la compra de este efecto de luces Beamz. Por favor lea atentamente este manual antes de usar el aparato para disfrutar al completo de sus prestaciones.

Seguir las instrucciones le permite no invalidar la garantía. Tome todas las precauciones para evitar que se produzca fuego o una descarga eléctrica. Las reparaciones solo deben llevarse a cabo por técnicos cualificados para evitar descargas eléctricas. Guarde el manual para futuras consultas. Antes de usar el aparato, por favor pida consejo a un profesional. Cuando el aparato se enciende por primera vez, suele sentirse cierto olor. Esto es normal y desaparece al poco tiempo.

- Este aparato contiene piezas que llevan voltaje. Por lo tanto NO abra la carcasa.
- No coloque objetos metálicos o vierta líquidos dentro del aparato. Podría producir descargas eléctricas y fallos en el funcionamiento.
- No coloque el aparato cerca de fuentes de calor tipo radiadores, etc. No coloque el aparato en superficies vibratorias. No tape los agujeros de ventilación.
- Este aparato no está preparado para un uso continuado.
- Tenga cuidado con el cable de alimentación y no lo dañe. Un daño o defecto en el cable de alimentación puede producir una descarga eléctrica o fallo en el funcionamiento.
- Cuando desconecte el aparato de la toma de corriente, siempre tire de la clavija, nunca del cable.
- No enchufe o desenchufe el aparato con las manos mojadas.
- Si la clavija y/o el cable de alimentación están dañados, necesitan reemplazarse por un técnico cualificado.
- Si el aparato está dañado de modo que puedan verse sus partes internas, NO conecte el aparato a la toma de corriente y NO lo encienda. Contacte con su distribuidor. NO conecte el aparato a un reostato o dimmer.
- Para evitar un fuego o peligro de descarga, no exponga el aparato a la lluvia y a la humedad.
- Todas las reparaciones deben llevarse a cabo exclusivamente por técnicos cualificados.
- Conecte el aparato a una toma de corriente con toma de tierra (220-240Vca/50Hz) protegida por un fusible de 10-16A.
- Durante una tormenta o si el aparato no va a usarse durante un periodo largo de tiempo, desconéctelo de la toma de corriente. La regla es: Desconéctelo si no lo va a usar.
- Si el aparato no se ha usado en mucho tiempo puede producirse condensación. Deje el aparato a temperatura ambiente antes de encenderlo.
- Nunca utilice el aparato en ambientes húmedos o en el exterior.
- Durante el funcionamiento, la carcasa se calienta muchísimo. No la toque durante el funcionamiento o inmediatamente después.
- Para prevenir accidentes en las empresas, debe seguir las directrices aplicables y seguir las instrucciones.
- Asegure el aparato con una cadena de seguridad extra si el aparato se monta en un techo. Utilice un sistema de truss con ganchos. Asegúrese de que nadie permanece en el área de montaje. Monte el efecto a una distancia de al menos 50cm de materiales inflamables y deje un espacio de al menos 1 metro a cada lado para permitir que haya suficiente ventilación.
- Este aparato contiene LEDs de alta luminosidad. No mire a la luz del LED para evitar daños en su vista.
- No lo apague y encienda repetidamente. Esto acorta su tiempo de vida.
- Mantenga el aparato fuera del alcance de los niños. No deje el aparato sin vigilancia.
- No utilice sprays limpiadores para limpiar los interruptores. Los residuos de estos sprays producen depósitos de polvo y grasa. En caso de mal funcionamiento, siempre consulte a un profesional.
- Solo maneje el aparato con las manos limpias.
- No fuerce los controles.
- Si el aparato se ha caído, siempre haga que lo verifique un técnico cualificado antes de encenderlo otra vez.
- NO utilice productos químicos para limpiar el aparato. Dañan el barniz. Tan solo límpielo con un trapo seco.
- Manténgalo lejos de equipos electrónicos ya que pueden producir interferencias.
- Solo utilice recambios originales para las reparaciones, de otro modo pueden producirse daños serios y/o radiaciones peligrosas.
- Apague el aparato antes de desconectarlo de la toma de corriente y/o de otros equipos. Desconecte todos los cables y conexiones antes de mover el aparato.
- Asegúrese de que el cable de alimentación no puede dañarse cuando la gente lo pise. Compruebe el cable de alimentación antes de cada uso por si hay daños o defectos.
- El voltaje de funcionamiento es 220-240Vca/50Hz. Compruebe que la toma de corriente coincide. Si tiene que viajar, asegúrese de que el voltaje del país es el adecuado para este aparato.
- Guarde el embalaje original para poder transportar el aparato en condiciones seguras.



Esta señal advierte al usuario de la presencia de alto voltaje en el interior de la carcasa y que es de la suficiente magnitud como para producir una descarga eléctrica.



Esta señal advierte al usuario de que el manual contiene instrucciones importantes que han de leerse y seguirse al pie de la letra.



**NO MIRE DIRECTAMENTE A LA S LENTES.** Puede dañarle la vista. Las personas propensas a tener ataques epilépticos deben tener en cuenta los efectos que este efecto de luces puede tener en ellos.

Este aparato ha obtenido el certificado CE. Está prohibido hacer cambios en el aparato. Invalidaría el certificado CE y su garantía!

**NOTA:** Para asegurarse de que el aparato funcione correctamente, debe usarse en ambientes a una temperatura de entre 5°C/41°F y 35°C/95°F.



Los productos electrónicos no pueden tirarse a la basura normal. Por favor lleve este producto a un centro de reciclaje. Pregunte a la autoridad local en caso de duda. Las especificaciones son generales. Los valores actuales pueden variar de una unidad a otra. Las especificaciones pueden variar sin previo aviso.

*Nie próbuj dokonywać żadnych napraw samodzielnie, to spowoduje unieważnienie gwarancji. Gwarancja nie dotyczy uszkodzeń spowodowanych niewłaściwym użytkowaniem sprzętu, niezgodnie z instrukcją. Beamz nie jest odpowiedzialny za uszczerbek na zdrowiu oraz kontuzje spowodowane niestosowaniem się do zaleceń bezpieczeństwa. Dotyczy to wszelakich uszkodzeń.*

## INSTRUCCIONES DE DESEMBALAJE

**ATENCIÓN!** Inmediatamente después de recibir un dispositivo, desempaque cuidadosamente la caja de cartón, compruebe el contenido para asegurarse de que todas las partes están presentes, y se han recibido en buenas condiciones. Notifique inmediatamente al transportista y conserve el material de embalaje para la inspección por si aparecen daños causados por el transporte o el propio envase muestra signos de mal manejo. Guarde el paquete y todos los materiales de embalaje. En el caso de que deba ser devuelto a la fábrica, es importante que el aparato sea devuelto en la caja de la fábrica y embalaje originales.

Si el aparato ha estado expuesto a grandes cambios de temperatura (tras el transporte), no lo enchufe inmediatamente. La condensación de agua producida podría dañar su aparato. Deje el dispositivo apagado hasta que se haya alcanzado la temperatura ambiente..

## FUENTE DE ALIMENTACIÓN

En la etiqueta de la parte trasera del controlador se indica el tipo de fuente de alimentación que debe ser conectado. Compruebe que la tensión de red corresponda a esto, todos los otros voltajes a la especificada, puede causar efectos irreparable. El producto también debe estar conectado directamente a la red para ser utilizado. No en ninguna fuente de alimentación o dimmer ajustable.



Conecte siempre el producto a un circuito protegido (disyuntor o fusible). Asegúrese de que el producto tiene una toma de tierra adecuada para evitar el riesgo de electrocución o incendio.

## INSTALACIÓN



**PRECAUCIÓN:** Por favor, considere las normas nacionales respectivas durante la instalación! La instalación sólo debe ser realizada por un empleado autorizado o distribuidores!

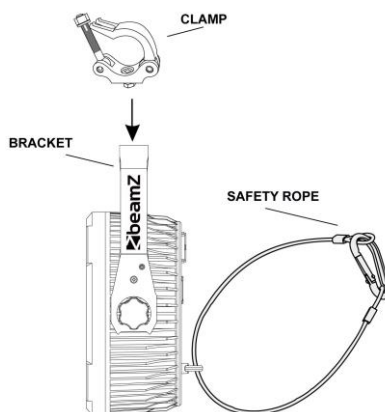


### Atención:

- La instalación del aparato debe ser de una manera que pueda soportar 10 veces su peso durante 1 hora sin sufrir deformaciones dañosas.
- La instalación siempre debe ser efectuada con un accesorio de seguridad secundario, por ejemplo, una red de anclaje adecuada. Este accesorio de seguridad secundario debe ser construido de una manera que ninguna parte de la instalación puede caer si falla el accesorio principal.
- Asegúrese de que el área por debajo del sitio de instalación está libre de personas ajenas durante el montaje, desmontaje y reparación.
- El operador tiene que asegurarse de que las instalaciones de seguridad y de máquinas son inspeccionadas por un perito antes de poner en funcionamiento por primera vez y antes de tomar otra puesta en marcha.
- El operador tiene que asegurarse de que las instalaciones de seguridad y de máquinas son inspeccionadas por un especialista una vez por año.
- El aparato debe instalarse en la posición en la que las personas no puedan llegar y donde las personas puedan caminar o sentarse.



**PRECAUCIÓN:** Al instalar el aparato, asegúrese de que no hay material altamente inflamable (artículos de decoración, etc.) en una distancia mínima de 0,5 metros.



## PANEL DE CONTROL (DISPLAY)



MODE UP DOWN ENTER



The El panel de control ofrece varias características: puede simplemente asignar la dirección de inicio, ejecutar el programa de pre-programado o hacer un reset.

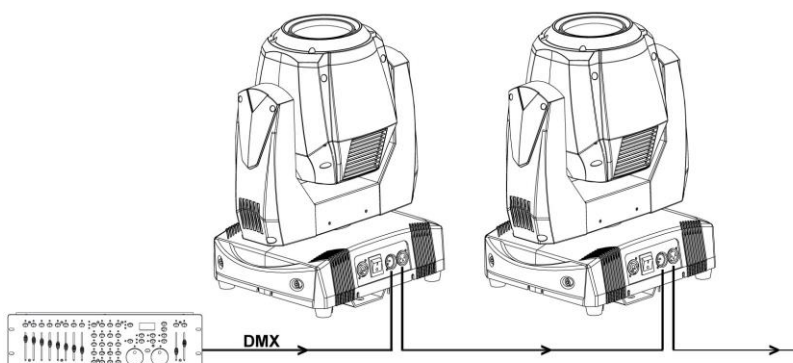
Al menú principal se accede pulsando la tecla **Modo**, se navega por el submenú pulsando arriba o abajo.

Pulse el botón **Enter** para seleccionar el menú deseado. Usted puede cambiar la selección pulsando arriba o abajo. Confirme cada selección pulsando la tecla Intro.

Puede abandonar cada modo pulsando el botón **Modo**. Las funciones previstas se describen más adelante en este manual.

## CONEXIÓN DMX-512

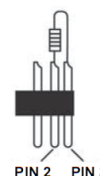
Si está utilizando un controlador DMX estándar, puede conectar la salida DMX del controlador directamente a la entrada DMX de la primera unidad en la cadena DMX. Siempre conecte la salida de una unidad con la entrada de la siguiente unidad hasta que todas las unidades estén conectadas.



Conectores 5-pin XLR DMX.

Algunos fabricantes utilizan cables de datos de 5-pin DMX-512 para la transmisión de datos en lugar de 3-pin. Los aparatos DMX de 5-pin se pueden implementar en una línea DMX de 3 pines. Al insertar cables de datos standards de 5 pines en una línea de 3 pines un adaptador de cable debe ser utilizado. La tabla a continuación detalla una conversión adecuada de cable.

Conversión 3-Pin XLR to 5-Pin XLR		
Conductor	3-Pin XLR Hembra (Out)	5-Pin XLR Macho (In)
Masa / Tierra	Pin 1	Pin 1
Enviar datos (- señal)	Pin 2	Pin 2
Datos True (+ señal)	Pin 3	Pin 3
No se utiliza		Pin 4 – No se utiliza
No se utiliza		Pin 5 – No se utiliza



En el último aparato, el cable DMX tiene que finalizar. Soldar un resistor de 120 ohmios entre la señal (-) y la señal (+) en un conector XLR de 3 pines, que conectará a la salida DMX del último aparato en la cadena.

## FUNCIONAMIENTO MAESTRO/ESCLAVO

Los dispositivos en el modo SHOW se pueden vincular en una cadena y establecer la operación maestro / esclavo, donde un dispositivo principal ejecuta un espectáculo y controla el comportamiento de los dispositivos esclavos. Dos modos esclavos están disponibles:

- Los dispositivos en el modo Esclavo 1 copian el maestro.
- Los dispositivos en el modo Esclavo 2 están sincronizados con el maestro pero tienen ligeras variaciones en el comportamiento.

Debes configurar todos los dispositivos excepto uno como esclavos. Si configura más de un accesorio en la cadena para que actúe como maestro, puede causar daños que no están cubiertos por la garantía del producto.

Para operar aparatos en modo maestro / esclavo:

1. Vincule los dispositivos en una cadena, usando un cable DMX para conectar la salida DMX OUT de un dispositivo a la entrada DMX IN del siguiente dispositivo.
2. En el menú MASTER SLAVE, establezca un dispositivo en MASTER y configure todos los demás en SLAVE 1 o SLAVE 2.
3. Establezca el dispositivo principal de la cadena uno de sus cuatro shows independientes.
4. Configure todos los dispositivos de la cadena en Esclavo 1 o Esclavo 2.

## USANDO EL MENU DE CONTROL

Para acceder a los menús de control, presione el botón **MENÚ**. Navegue por la estructura del menú usando los botones **ENTER**, **DOWN** y **UP**. Para seleccionar una opción del menú o para confirmar una selección, presione el botón **ENTER**. Para volver a un nivel superior en la estructura del menú sin realizar ningún cambio, presione el botón **MENÚ**.

Para salir por completo de los menús de control, mantenga presionado el botón **MENÚ**.

## DIRECCION DMX

La dirección DMX, también conocida como canal de inicio, es el primer canal utilizado para recibir instrucciones de un controlador DMX. El dispositivo se controla utilizando un mínimo de 12 canales DMX (pero tiene un modo extendido que usa más canales). Cada dispositivo controlado por DMX debe tener un conjunto de direcciones DMX. Por ejemplo, si el dispositivo tiene una dirección DMX de 10, utiliza los canales 10 a 22 inclusive. El siguiente accesorio en la cadena DMX podría establecerse en una dirección DMX de 23.

Para un control independiente, a cada dispositivo se le deben asignar sus propios canales de control. Dos dispositivos del mismo tipo pueden compartir la misma dirección si se desea un comportamiento idéntico. El uso compartido de direcciones puede ser útil para fines de diagnóstico y control simétrico, particularmente cuando se combina con las opciones inversas de panoramización e inclinación.

Para establecer la dirección DMX del dispositivo:

1. En el menú de control, seleccione DMX "ADDR" y presione **ENTER** para confirmar. La dirección actual parpadeará en la pantalla.
2. Use los botones **ARRIBA** y **ABAJO** para seleccionar una dirección del 1 al 496 (la dirección superior variará dependiendo del modo DMX del dispositivo).
3. Presione **ENTER** para confirmar su selección.

## MODO CANAL DMX

Puede controlar el dispositivo en dos modos:

- Básico (modo de 12 canales)
- Extendido (modo de 32 canales)

Para ajustar la configuración:

1. Seleccione "CHNd" MODE y presione "ENTER". La opción configurada actualmente parpadeará en la pantalla.
2. Use los botones "ABAJO" y "ARRIBA" para seleccionar 16ch básico (predeterminado) o 21ch extendido.
3. Presione "ENTER" para guardar su selección

## COMPORTAMIENTO SIN DMX (ESTADO DMX)

La configuración DMX STATE determina cómo se comporta el dispositivo cuando no recibe una señal DMX. Puede configurar el dispositivo para que ingrese al modo automático, al modo de sonido o al apagón.

Para ajustar la configuración:

Seleccione "SLNd" y presione "ENTER". Puede elegir entre "Mast", "SL1" y "SL2". Para usar Auto o sonido, el dispositivo debe configurarse en "Mast". Cuando se selecciona "SL1" o "SL2", el dispositivo no responde si no hay DMX.

2. Use los botones "Abajo" o **ARRIBA** para seleccionar "Auto" o "Sonido" y presione "ENTER".
3. Cuando "Auto" puede elegir entre 4 programas automáticos, seleccione su programa con los botones "Abajo" y "ARRIBA" y presione "ENTER".

Cuando "ShNd" (programas de sonido) puede elegir entre 4 programas de sonido, seleccione su programa con los botones "Abajo" y "ARRIBA" y presione "ENTER".

Nota: Cuando use el programa de sonido, seleccione "Soun" y presione "ENTER". Puede elegir entre "ON" (sonido activado) u "OFF" (sonido desactivado) utilice los botones "Abajo" y "ARRIBA" y presione "ENTER" para confirmar

## INVERSION PAN/TILT

Los menús **PAN INVERSE** y **TILT INVERSE** se pueden usar para invertir la dirección de pan y tilt. Estos ajustes son útiles para efectos simétricos con múltiples accesorios, o cuando se coordina el movimiento de accesorios que están montados en el suelo y montados boca abajo. Para ajustar la configuración de inversión de panorama:

1. Seleccione **PAN INVERSE** y presione **ENTER** para confirmar. El modo actualmente configurado parpadeará en la pantalla.
2. Use los botones **ABAJO** y **ARRIBA** para seleccionar el modo **SÍ** (inversión de inclinación) o **NO** (normal).
3. Presione **ENTER** para guardar su selección.

Para ajustar la configuración de inversión de inclinación:

1. Seleccione **TILT INVERSE** y presione **ENTER** para confirmar. El modo actualmente configurado parpadeará en la pantalla.
2. Use los botones **ABAJO** y **ARRIBA** para seleccionar el modo **SÍ** (inversión de inclinación) o **NO** (normal).
3. Presione **ENTER** para guardar su selección.

## BACKLIGHT (ILUMINACION PANTALLA)

Para encender o apagar la retroiluminación de la pantalla del panel de control:

1. Seleccione LED y presione ENTER para confirmar. El modo actual parpadeará en la pantalla.
2. Use los botones ABAJO y ARRIBA para seleccionar ENCENDIDO o APAGADO.
3. Presione ENTER para guardar su selección.

## AUTO TEST

Para realizar una prueba completa de todas las funciones del dispositivo:

1. Seleccione "TEST" y presione el botón ENTER.
2. Presione el botón ENTER. El dispositivo ejecutará una rutina de autodiagnóstico.

## TIEMPO DE USO

Para visualizar el contador de horas de funcionamiento del dispositivo, seleccione "HOUR" y presione ENTER. La pantalla mostrará la cantidad de horas que el dispositivo estuvo en funcionamiento desde la fabricación. Presione MENU para salir.

## FIRMWARE VERSION

Para visualizar la versión de firmware actual del dispositivo, seleccione "UER" y presione ENTER. La pantalla mostrará la versión del firmware en el dispositivo. Presione MENU para salir.

## RESET

El dispositivo reajusta sus motores cada vez que lo enciende, pero también puede reiniciar los motores manualmente desde el panel de control y por DMX. Para llevar a cabo un reinicio manual desde el panel de control, desplácese hasta RESET y presione ENTER para restablecer el dispositivo, o presione MENU para salir sin reiniciar. Un reinicio lleva aprox. 20 segundos. Después de esto, el dispositivo vuelve a su estado anterior al reinicio.

Los motores del accesorio también se pueden reiniciar por DMX usando el canal de función especial.

## AJUSTAR POSICION DE INICIO (OFFSET MENU)

Si el cabezal del dispositivo no vuelve a la posición de inicio correcta incluso después de un reinicio, puede ajustar la posición de inicio definiendo los desplazamientos.

Para hacer el ajuste desde el panel de control:

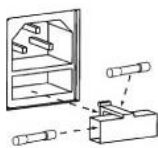
1. Restablezca los motores del dispositivo como se describe arriba.
2. Mientras aún está en el modo menú, presione y mantenga presionado ENTER por al menos 3 segundos para ingresar al modo Desplazamiento.
3. Use los botones ABAJO y ARRIBA hacia arriba para elegir la función PAN o TILT para ajustar.
4. Use los botones ABAJO y ARRIBA para ajustar la posición de inicio del efecto.
5. Presione ENTER para guardar su selección (o presione MENU para salir sin guardar ningún cambio).

El desplazamiento / calibración del dispositivo también se puede configurar mediante DMX usando el canal de función especial.

## CAMBIANDO EL FUSIBLE

Si el fusible está defectuoso, reemplace el fusible por un fusible del mismo tipo y valor. Antes de sustituir el fusible, desconectar de la corriente.

Procedimiento:



- Paso 1: Abra el portafusibles del panel trasero con un destornillador adecuado.
- Paso 2: Retire el fusible viejo del portafusibles.
- Paso 3: Instale el fusible nuevo en el portafusibles.
- Paso 4: Vuelva a colocar el portafusibles en la caja.

## LIMPIEZA

La limpieza de lentes y / o espejos internos y externos debe ser llevada a cabo periódicamente para optimizar la salida de luz. La frecuencia de limpieza depende del entorno en el que funcione el aparato: humedad, a humo o especialmente sucios rodea puede causar una mayor acumulación de polvo en las ópticas de la unidad.

- Asegúrese de que el área por debajo del sitio de instalación está libre de personas ajenas durante la reparación.
- Carcasas, fijaciones y puntos de instalación (techos, armaduras, suspensiones) deberán estar totalmente libres de ninguna deformación.
- Los cables de red deberán estar en perfecto estado y deberán reemplazarse inmediatamente cuando se detecta incluso un pequeño problema.
- Para proteger el aparato de sobrecalentamiento, los ventiladores de refrigeración (si las hubiera) y las aberturas de ventilación deberán limpiarse mensualmente.
- El interior del aparato debería ser limpiado anualmente usando una aspiradora o chorro de aire.
- Limpie con un paño suave utilizando un fluido normal de limpieza de cristales.
- Seque siempre las piezas con cuidado.
- Limpie las ópticas externas al menos cada mes. Limpie los elementos ópticos internos al menos cada 30/60 días..

**ATENCIÓN:** Se recomienda encarecidamente que la limpieza interna sea llevada a cabo por trabajador cualificado!

Nous vous remercions d'avoir acheté un appareil Beamz. Veuillez lire la présente notice avant l'utilisation afin de pouvoir en profiter pleinement.

Veuillez lire la notice avant utilisation. Respectez impérativement les instructions afin de continuer à bénéficier de la garantie. Prenez toutes les précautions nécessaires pour éviter tout incendie ou décharge électrique. Seul un technicien spécialisé peut effectuer les réparations. Nous vous conseillons de conserver la présente notice pour pouvoir vous y reporter ultérieurement.

- Avant d'utiliser l'appareil, prenez conseil auprès d'un spécialiste. Lors de la première mise sous tension, il est possible qu'une odeur soit perceptible. C'est normal, l'odeur disparaîtra peu de temps après.
- L'appareil contient des composants porteurs de tension. N'OUVREZ JAMAIS le boîtier.
- Ne placez pas des objets métalliques ou du liquide sur l'appareil, cela pourrait causer des décharges électriques et dysfonctionnements.
- Ne placez pas l'appareil à proximité de sources de chaleur, par exemple radiateur. Ne positionnez pas l'appareil sur une surface vibrante. N'obtenez pas les ouïes de ventilation.
- L'appareil n'est pas conçu pour une utilisation en continu.
- Faites attention au cordon secteur, il ne doit pas être endommagé.
- Lorsque vous débranchez l'appareil de la prise secteur, tenez-le par la prise, ne tirez jamais sur le cordon.
- Ne branchez pas et ne débranchez pas l'appareil avec les mains mouillées.
- Seul un technicien spécialisé peut remplacer la fiche secteur et / ou le cordon secteur.
- Si l'appareil est endommagé et donc les éléments internes sont visibles, ne branchez pas l'appareil, NE L'ALLUMEZ PAS. Contactez votre revendeur. NE BRANCHEZ PAS l'appareil à un rhéostat ou un dimmer.
- Pour éviter tout risque d'incendie ou de décharge électrique, n'exposez pas l'appareil à la pluie ou à l'humidité.
- Seul un technicien habilité et spécialisé peut effectuer les réparations
- Branchez l'appareil à une prise 220-240 V/50 Hz avec terre, avec un fusible 10-16 A.
- Pendant un orage ou en cas de non utilisation prolongée de l'appareil, débranchez l'appareil du secteur.
- En cas de non utilisation prolongée de l'appareil, de la condensation peut être créée. Avant de l'allumer, laissez l'appareil atteindre la température ambiante. Ne l'utilisez jamais dans des pièces humides ou en extérieur.
- Pendant le fonctionnement, le boîtier est très chaud.
- Ne le touchez pas pendant le fonctionnement et juste après.
- Afin d'éviter tout accident en entreprise, vous devez respecter les conseils et instructions.
- Assurez l'appareil avec une élingue de sécurité s'il doit être monté au plafond. Utilisez un système de crochets. Assurez-vous que personne ne puisse se trouver sous l'appareil. Il doit être monté à 50 cm au moins de tout matériau inflammable et à un mètre au moins de toute surface pour garantir son bon refroidissement.
- Cet appareil contient des LEDs de grande intensité. Ne regardez pas directement les LEDs pour éviter tout troubles de la vision.
- N'allumez pas et n'éteignez pas l'appareil de manière répétée. Cela réduit sa durée de vie.
- Conservez l'appareil hors de la portée des enfants. Ne laissez pas l'appareil sans surveillance.
- N'utilisez pas d'aérosols pour nettoyer les interrupteurs. Les résidus créent des dépôts et de la graisse. En cas de dysfonctionnement, demandez conseil à un spécialiste.
- Ayez toujours les mains propres pour utiliser l'appareil.
- Ne forcez pas les réglages.
- Si l'appareil est tombé, faites-le toujours vérifier par un technicien avant de le rallumer.
- Pour nettoyer l'appareil, n'utilisez pas de produits chimiques qui abîment le revêtement, utilisez uniquement un tissu sec.
- Tenez toujours l'appareil éloigné de tout équipement électrique pouvant causer des interférences.
- Pour toute réparation, il faut impérativement utiliser des pièces d'origine, sinon il y a risque de dommages graves et / ou de radiations dangereuses.
- Eteignez toujours l'appareil avant de le débrancher du secteur et de tout autre appareil. Débranchez tous les cordons avant de déplacer l'appareil.
- Assurez-vous que le cordon secteur n'est pas abîmé si des personnes viennent à marcher dessus. Avant toute utilisation, vérifiez son état.
- La tension d'alimentation est de 220-240 V~/50 Hz. Vérifiez la compatibilité. Si vous voyagez, vérifiez que la tension d'alimentation du pays est compatible avec l'appareil.
- Conservez l'emballage d'origine pour pouvoir transporter l'appareil en toute sécurité.



CE symbole doit attirer l'attention de l'utilisateur sur les tensions élevées présentes dans le boîtier de l'appareil, pouvant engendrer une décharge électrique.



CE symbole doit attirer l'attention de l'utilisateur sur des instructions importantes détaillées dans la notice, elles doivent être lues et respectées.



**NE REGARDEZ PAS DIRECTEMENT LA LENTILLE.** Cela peut créer des troubles de la vision. Les personnes photosensibles et épileptiques doivent prendre en compte les effets que ce jeu de lumière peut causer.

Cet appareil porte le symbole CE. Il est interdit d'effectuer toute modification sur l'appareil. La certification CE et la garantie deviendraient caduques !

**NOTE:** Pour un fonctionnement normal de l'appareil, il doit être utilisé en intérieur avec une plage de température maximale autorisée entre 5°C/41°F et 35°C/95°F.



Ne jetez pas les produits électriques dans la poubelle domestique. Déposez-les dans une déchetterie. Demandez conseil aux autorités locales ou à votre revendeur. Données spécifiques. Les valeurs actuelles peuvent légèrement varier d'un appareil à l'autre. Tout droit de modification réservé sans notification préalable.

*N'essayez pas de réparer l'appareil vous-même. Vous perdriez tout droit à la garantie. Ne faites aucune modification sur l'appareil. Vous perdriez tout droit à la garantie. La garantie deviendrait également caduque en cas d'accidents ou dommages causés par une utilisation inappropriée de l'appareil ou un non respect des consignes présentes dans cette notice. Beamz ne pourrait être tenu responsable en cas de dommages matériels ou corporels causés par un non respect des consignes de sécurité et avertissements. Cela est également valable pour tous les dommages quelle que soit la forme.*

## DEBALLAGE

**ATTENTION !** Immédiatement après réception, vérifiez le contenu du carton et assurez-vous que tous les éléments sont bien présents et en bon état. Si besoin, faites les réserves nécessaires si le matériel ou les cartons sont endommagés. Si l'appareil doit être retourné, faites-le dans l'emballage d'origine.

Si l'appareil a été exposé à des fluctuations importantes de températures (par exemple après le transport), ne l'allumez pas immédiatement. De la condensation peut survenir. Laissez l'appareil éteint le temps qu'il atteigne la température ambiante.

## ALIMENTATION

Vous trouvez sur l'étiquette à l'arrière de l'appareil, le type d'alimentation à utiliser. Vérifiez que la tension d'alimentation corresponde à celle mentionnée. Toute autre alimentation peut endommager l'appareil. Reliez l'appareil au secteur, il est prêt à être utilisé. En aucun cas, vous ne devez utiliser de dimmer ou d'alimentation réglable.



Connectez toujours l'appareil à un circuit protégé (disjoncteur ou fusible). Assurez-vous que l'appareil soit correctement relié à la terre afin d'éviter tout risque d'électrocution ou d'incendie

## INSTALLATION



**ATTENTION :** Lors de l'installation, tenez compte des normes nationales respectives ! Seuls des revendeurs et installateurs habilités peuvent procéder à l'installation.

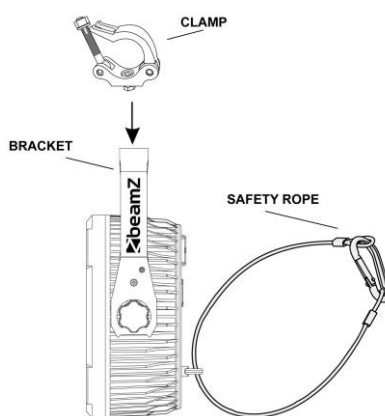


### Attention:

- L'installation de l'appareil doit être pensée et réalisée de telle sorte que le support de fixation puisse supporter 10 fois le poids de l'appareil pendant une heure sans aucune déformation.
- L'installation doit toujours être assurée par un second système de fixation, par exemple un filet ou une élingue. Ce second système doit être conçu de telle sorte que aucun élément de l'installation ne puisse tomber si la fixation principale venait à rompre.
- Assurez-vous que la zone sous l'emplacement de montage ne puisse pas accueillir de public pendant le montage, le démontage et l'utilisation.
- Le responsable du fonctionnement doit faire approuver par un expert les conditions d'installation et d'utilisation de l'appareil avant la première mise en service et après tout changement.
- Le responsable du fonctionnement doit faire approuver par un expert les conditions d'installation et d'utilisation de l'appareil, une fois par an.
- L'appareil doit être installé de telle sorte que personne ne puisse l'atteindre, passer dessous ou être assis.

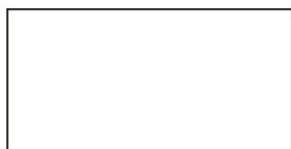


**ATTENTION :** Lorsque vous installez l'appareil, assurez-vous qu'il n'y a aucun matériau fortement inflammable (décorations par exemple) à 0,5 mètres au moins de l'appareil.





## AFFICHAGE



MODE UP DOWN ENTER



Le panneau de commande vous permet d'effectuer différents réglages : réglage de l'adresse de démarrage, gestion d'un programme pré-programmé, lancer un Reset. Le menu principal est accessible en appuyant sur la touche **Mode**, vous pouvez naviguer dans le sous-menu avec la touche **Up** ou **Down**.

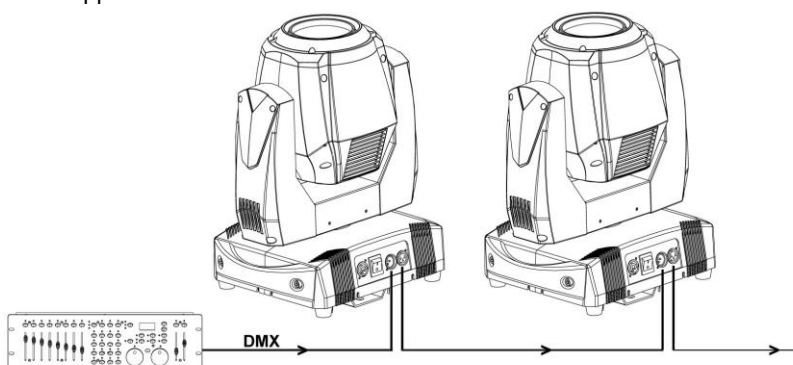
Appuyez sur la touche **Enter** pour choisir le menu souhaité.

Vous pouvez modifier la sélection en appuyant sur la touche **Up** ou **Down**. Confirmez la sélection en appuyant sur la touche **Enter**.

Vous pouvez quitter un mode en appuyant sur la touche **Mode**. Les fonctions fournies sont décrits plus loin dans ce manuel.

## BRANCHEMENT DMX-512

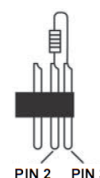
Si vous utilisez un contrôleur DMX classique, vous pouvez relier la sortie DMX du contrôleur directement à l'entrée DMX du premier appareil dans une chaîne DMX. Reliez toujours la sortie d'un appareil à l'entrée de l'appareil suivant jusqu'à ce que tous les appareils soient reliés.



### Connecteurs DMX XLR 5 pôles

Certains fabricants utilisent des cordons de transmission DMX-512 5 pôles pour la transmission des données à la place de cordons 3 pôles. Des appareils avec connexion DMX 5 pôles peuvent être utilisés dans une ligne DMX 3 pôles. Si vous utilisez des câbles de données 5 pôles dans une ligne 3 pôles, vous devez utiliser un adaptateur. Le tableau ci-dessous présente la modification du câble.

Conversion XLR 3 pôles en XLR 5 pôles		
Conducteur	XLR 3 P femelle (Out)	XLR 5 pôles mâle (In)
Terre / blindage	Pin 1	Pin 1
Data - (- signal)	Pin 2	Pin 2
Data + (+ signal)	Pin 3	Pin 3
Non utilisé		Pin 4 - ne pas utiliser
Non utilisé		Pin - ne pas utiliser



Sur le dernier appareil, le cordon DMX doit être terminé par un bouchon. Soudez une résistance 120 ohms entre signal (-) et signal (+) sur une prise XLR 3 pôles et branchez-la à la sortie DMX du dernier appareil de la chaîne.

## FONCTIONNEMENT MASTER/SLAVE

### Fonctionnement Master/slave

Les appareils en mode Show peuvent être reliés en une chaîne et réglés sur le mode Master / Slave, un appareil Master utilise un show standalone et gère le comportement des appareils Slave. Deux modes Slave sont disponibles :

- Appareils en mode Slave 1 copient le master.
- Appareils en mode Slave 2 sont synchronisés avec le master mais ont de légères variations de comportement.

Vous devez régler tous les appareils sauf un, sur Slave. Si plus d'un appareil dans la chaîne agit comme Master, vous pouvez endommager l'appareil ; ces dégâts ne sont pas couverts par la garantie.

Pour faire fonctionner les appareils en mode Master / Slave :

1. Reliez les appareils pour former une chaîne en utilisant un cordon DMX pour relier une prise DMX OUT d'un appareil à la prise DMX IN de l'appareil suivant.
2. Dans le menu MASTER SLAVE, réglez un appareil sur MASTER et réglez tous les autres appareils sur SLAVE 1 ou SLAVE 2.
3. Réglez l'appareil Master dans la chaîne pour démarrer un des quatre shows standalone.
4. Réglez tous les appareils dans la chaîne sur Slave 1 ou Slave 2.

## UTILISATION VIA LE MENU DE GESTION

Pour accéder aux menus de contrôle, appuyez sur la touche MENU. Naviguez dans la structure du menu en utilisant les touches ENTER, DOWN, et UP. Pour sélectionner une option de menu ou confirmer une sélection, appuyez sur la touche ENTER. Pour revenir à un niveau supérieur dans la structure du menu, sans faire de modifications, appuyez sur la touche MENU.

Pour quitter totalement les menus de gestion, appuyez sur la touche MENU et maintenez-la enfoncée.

## ADRESSAGE DMX

L'adresse DMX, connue comme canal de démarrage est le premier canal utilisé pour recevoir des instructions d'un contrôleur DMX. L'appareil est géré en utilisant un minimum de 12 canaux DMX (mais a un mode étendu qui utilise plus de canaux). Chaque appareil géré par DMX doit avoir une adresse DMX réglée. Par exemple, si l'appareil a une adresse DMX de 10, il utilise les canaux 10 à 22inclus. L'appareil suivant dans la chaîne DMX pourrait être réglé sur l'adresse DMX 23.

Pour un contrôle indépendant, chaque appareil doit être assigné avec ses propres canaux de commande. Deux appareils de même type peuvent partager la même adresse si vous souhaitez un comportement identique. Le partage d'adresse peut être utile pour des diagnostics et une gestion symétrique, en particulier en combinaison avec des options de pan et tilt inversés.

Pour régler l'adresse DMX de l'appareil :

1. Dans le menu de contrôle, sélectionnez DMX "ADDR" et appuyez sur ENTER pour confirmer. L'adresse actuelle clignote sur l'affichage.
2. Utilisez les touches UP et DOWN pour sélectionner une adresse de 1 à 496 (l'adresse top va varier selon le mode DMX de l'appareil).
3. Appuyez sur ENTER pour confirmer votre sélection.

## MODE CANAUX DMX

Vous pouvez gérer l'appareil dans deux modes :

- Basique (mode 12 canaux)
- Elargi (mode 32 canaux)

Pour le réglage :

1. Sélectionnez le mode "CHNd" MODE et appuyez sur "ENTER". L'option réglée clignote sur l'affichage.
2. Utilisez les touches UP et DOWN pour sélectionner Basic 16ch (par défaut) ou Extended 21ch.
3. Appuyez sur ENTER pour sauvegarder votre sélection.

## FONCTIONNEMENT SANS DMX (DMX STATE)

Le réglage DMX STATE définit le comportement de l'appareil s'il ne reçoit pas de signal DMX. Vous pouvez régler l'appareil pour accéder aux modes Auto Mode, Sound Mode ou black out.

Pour le réglage :

- Sélectionnez "SLNd" et appuyez sur "ENTER". Vous pouvez choisir entre "Mast", "SL1" et "SL2". Pour utiliser Auto ou Sound l'appareil doit être réglé sur "Mast". Si "SL1" ou "SL2" est sélectionné, l'appareil est noir si sans DMX.
2. Utilisez les touches UP et DOWN pour sélectionner "Auto" ou "Sound" et appuyez sur "ENTER".
  3. Si "Auto" est sélectionné, vous pouvez choisir entre 4 programmes automatiques ; sélectionnez votre programme avec les touches "Down" et "UP" et appuyez sur "ENTER".

Si "ShNd" (programmes audio) est sélectionné, vous pouvez choisir entre 4 programmes audio ; sélectionnez le programme avec "Down" et "UP" et appuyez sur "ENTER".

Note : Si vous utilisez le programme audio, sélectionnez "Soun" et appuyez sur "ENTER". Vous pouvez choisir entre "ON" (Sound on / activé) ou "OFF" (Sound off / désactivé) ; utilisez les touches "Down" et "UP" et appuyez sur "ENTER" pour confirmer.

## INVERSION PAN/TILT

Les menus d'inversion PAN INVERSE et d'inversion TILT INVERSE peuvent être utilisés pour inverser la direction du pan et du tilt. Ces réglages sont utilisés pour des effets symétriques avec de nombreux appareils ou pour coordonner le mouvement des appareils montés au plafond et utilisés la tête en vas. Pour régler l'inversion Pan :

1. Sélectionnez PAN INVERSE et appuyez sur ENTER pour confirmer. Le mode réglé clignote sur l'affichage.
2. Utilisez les touches DOWN et UP pour sélectionner YES (inversion Pan) ou NO (normal).
3. Appuyez sur ENTER pour sauvegarder votre sélection.

Pour régler l'inversion Tilt :

1. Sélectionnez TILT INVERSE et appuyez sur ENTER pour confirmer. Le mode réglé clignote sur l'affichage.
2. Utilisez les touches DOWN et UP pour sélectionner YES (inversion Tilt) ou NO (normal).
3. Appuyez sur ENTER pour sauvegarder votre sélection.

## BACKLIGHT

Pour activer et désactiver l'éclairage de l'affichage du panneau de commande :

1. Sélectionnez LED et appuyez sur ENTER pour confirmer. Le mode en cours clignote sur l'affichage.
2. Utilisez les touches DOWN et UP pour sélectionner ON ou OFF.
3. Appuyez sur ENTER pour sauvegarder votre sélection.

## AUTO TEST

Pour faire un auto-test de toutes les fonctions de l'appareil :

1. Sélectionnez "TEST" et appuyez sur ENTER.
2. Appuyez sur ENTER, l'appareil démarre le test.

## HEURES DE FONCTIONNEMENT

Pour afficher le compteur d'heures de fonctionnement de l'appareil, sélectionnez "HOUR" et appuyez sur ENTER. L'affichage indique le nombre d'heures de fonctionnement de l'appareil depuis sa fabrication. Appuyez sur MENU pour quitter.

## VERSION FIRMWARE

Pour afficher la version actuelle du firmware, sélectionnez "UER" et appuyez sur "ENTER". L'affichage indique la version du firmware de l'appareil. Appuyez sur MENU pour quitter.

## RESET

L'appareil réinitialise ses moteurs à chaque fois que vous l'allumez mais vous pouvez également réinitialiser les moteurs de l'appareil manuellement depuis le panneau de commande et par DMX. Pour effectuer une réinitialisation manuelle depuis le panneau de commande, déroulez jusqu'à RESET et appuyez sur ENTER pour réinitialiser ou appuyez sur MENU pour quitter sans faire de réinitialisation. Cette procédure dure 20 secondes environ. Ensuite, l'appareil revient à son état avant la réinitialisation.

Les moteurs peuvent être également réinitialisés par DMX en utilisant le canal Special Function.

## REGLAGE POSITION DE DEPART (MENU OFFSET)

Si la tête de l'appareil ne revient pas correctement à la position d'origine, même après un reset, vous pouvez régler la position de départ en définissant des offset.

Pour faire un réglage depuis le panneau de commande :

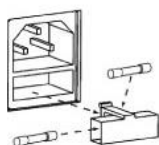
1. Réinitialisez les moteurs comme décrits ci-dessus.
2. Toujours en mode Menu, appuyez sur ENTER et maintenez la touche enfoncée plus de 3 secondes pour entrer dans le mode Offset.
3. Utilisez les touches DOWN et UP pour choisir la fonction PAN ou TILT à régler.
4. Utilisez les touches Up et DOWN pour régler la position de départ de l'effet.
5. Appuyez sur ENTER pour sauvegarder votre sélection (ou appuyez sur MENU pour quitter sans sauvegarder les changements).

Le réglage Offset / la calibration de l'appareil peut se faire également par DMX en utilisant le canal Special Function.

## REMPACEMENT DU FUSIBLE

Si le fusible est défectueux, il faut le remplacer par un fusible de même type et de même valeur. Avant de le remplacer, veillez à débrancher l'appareil.

Procédure:



Etape 1: Ouvrez le porte-fusible sur le panneau arrière avec un petit tournevis.

Etape 2: Retirez l'ancien fusible.

Etape 3: Placez le nouveau fusible dans le porte-fusible.

Etape 4: Remettez le porte-fusible dans le boîtier.

## NETTOYAGE

Le nettoyage des lentilles optiques internes et externes et / ou miroirs doit être fait régulièrement pour un rendu lumineux optimal. La fréquence de nettoyage dépend de l'environnement d'utilisation : de la poussière, fumée ou un environnement très sale peuvent générer une accumulation importante de salissures sur les optiques.

- Assurez-vous que personne ne se trouve sous l'emplacement d'installation pendant le nettoyage.
- Les boîtiers, fixations et éléments d'installation (plafond, structures, suspensions) ne doivent présenter aucune déformation.
- Le cordon secteur ne doit pas présenter de dommage ; si un problème est détecté, il doit être immédiatement être remplacé.
- Pour protéger l'appareil de toute surchauffe, les ventilateurs et ouïes d'aération doivent être nettoyés tous les mois.
- L'intérieur de l'appareil doit être nettoyé tous les ans avec un compresseur.
- Pour le nettoyage, utilisez un tissu doux et du liquide de nettoyage pour vitres usuel.
- Séchez correctement tous les éléments.
- Nettoyez les optiques externes tous les mois au moins. Nettoyez les optiques internes tous les 30 à 60 jours au moins.

**ATTENTION** : Nous recommandons fortement que le nettoyage intérieur soit fait par un technicien qualifié.

Gratulujemy zakupu urządzenia marki BeamZ. Proszę o przeczytanie instrukcji przed użyciem urządzenia, aby jak najlepiej móc wykorzystać jego możliwości.

Przeczytaj tę instrukcję przed pierwszym użyciem urządzenia. Postępuj zgodnie z instrukcją, aby nie utracić gwarancji. Zwróć uwagę na wszystkie ostrzeżenia, aby uniknąć pożaru lub/oraz porażenia prądem. Naprawy mogą być przeprowadzane jedynie przez autoryzowany serwis. Zatrzymaj tę instrukcję na wypadek potrzeby w przyszłości.

- Przed użyciem skonsultuj się ze specjalistą. Podczas pierwszego użycia urządzenie może wydzielić specyficzny zapach. To zupełnie normalne, zniknie po chwili.
- Urządzenie posiada podzespoły przewodzące prąd. Nie otwieraj obudowy urządzenia.
- Nie umieszczaj metalowych obiektów ani płynów w urządzeniu. Może to spowodować porażenie prądem lub uszkodzenie sprzętu.
- Nie umieszczaj w pobliżu takich źródeł ciepła jak grzejnik itd. Nie umieszczaj urządzenia na wibrującej powierzchni. Nie zasłaniaj kanałów wentylacyjnych.
- Urządzenie nie jest przeznaczone do ciągłej pracy.
- Pamiętaj, aby nie uszkodzić przewodu zasilającego. Uszkodzony przewód zasilający może spowodować porażenie prądem lub uszkodzenie sprzętu.
- Podczas wyjmowania wtyczki z gniazdka zawsze ciągnij za wtyczkę, nie za kabel.
- Nie wtykaj kabla mając mokre dłonie.
- Jeśli wtyczka lub/oraz kabel zasilający jest uszkodzony, musi być wymieniony przez wykwalifikowaną osobę.
- Jeśli urządzenie jest uszkodzone na tyle, że widoczne są części wewnętrzne, nie podłączaj sprzętu do gniazdka, ani go nie uruchamiaj. Skontaktuj się z dystrybutorem. Nie podłączaj urządzenia do opornika bądź dimmera.
- Aby uniknąć porażenia prądem, nie wystawiaj urządzenia na działanie warunków atmosferycznych ani na wilgoć.
- Sprzęt może być naprawiany tylko w autoryzowanym serwisie.
- Podłączaj urządzenie do uziemionego źródła zasilania (220-240Vac/50Hz) z bezpiecznikiem 10-16A.
- Podczas burzy lub w sytuacjach, gdy urządzenie nie jest używane przez dłuższy czas, odłącz je od gniazdka. Zasada brzmi: odłącz sprzęt od gniazdka, gdy go nie używasz.
- Jeśli urządzenie nie było używane przez dłuższy czas, może wystąpić kondensacja. Pozwól na to, aby sprzęt osiągnął temperaturę pokojową. Nigdy nie używaj w wilgotnych pomieszczeniach, bądź na zewnątrz.
- Podczas użytkowania znacznie wzrasta temperatura obudowy. Nie dotykaj jej w czasie pracy, bądź natychmiast po wyłączeniu urządzenia.
- Aby uniknąć wypadków w pracy, wykonuj polecenia zawarte w tej instrukcji.
- Zabezpiecz urządzenie dodatkowym łańcuchem bezpieczeństwa. Używaj wysokiej jakości haków. Upewnij się, że nikt nie stoi w pobliżu okolicy montażu. Montuj sprzęt w odległości co najmniej 50cm od materiałów łatwopalnych i zachowuj co najmniej 1m wolnej przestrzeni z każdej strony, aby zapewnić odpowiednie chłodzenie
- Urządzenie posiada diody LED wysokiej mocy. Nie patrz bezpośrednio na diody, aby nie uszkodzić wzroku.
- Nie włączaj i wyłączaj urządzenia co chwilę. Skraca to jego żywotność.
- Trzymaj z dala od dzieci. Nie zostawiaj sprzętu bez opieki.
- Nie używaj spray'ów do czyszczenia przełączników. To powoduje osiadanie się kurzu oraz tłuszczu. W przypadku usterki zasięgnij rady u specjalisty. Obsługuj urządzenie mając czyste ręce.
- Nie naciskaj przycisków z zbyt dużą siłą.
- Jeśli urządzenie upadnie, przed kolejnym włączeniem zawsze musi być sprawdzone przez wykwalifikowanego technika.
- Nie używaj chemikaliów do czyszczenia obudowy. Niszczą one lakier. Dokonuj czyszczenia za pomocą suchej szmatki.
- Trzymaj z dala od innej elektroniki, która może spowodować zakłócenia.
- Podczas serwisu używaj tylko oryginalnych części. W innym przypadku może nastąpić poważne uszkodzenie sprzętu, lub niebezpieczne promieniowanie.
- Wyłącz urządzenie przed wyciągnięciem kabla zasilającego. Odłącz wszystkie kable przed przenoszeniem sprzętu.
- Upewnij się, że nikt nie uszkodzi kabla zasilającego. Sprawdź przed każdym użyciem, czy kabel zasilający nie nosi znamion uszkodzenia.
- Urządzenie może pracować przy napięciu 220-240Vac/50Hz. Jeśli podróżujesz ze sprzętem, sprawdź, czy możesz je bezpiecznie podłączyć do prądu.
- Zachowaj oryginalny karton, aby móc transportować urządzenie w bezpiecznych warunkach.



Ten znak zwraca uwagę użytkownika na wysokie napięcie, które jest obecne w środku obudowy urządzenia. Napięcie jest wystarczające, aby porazić użytkownika.



Ten znak zwraca uwagę użytkownika do ważnych informacji, które znajdują się w instrukcji. Informacje te powinny być przeczytane oraz uwzględnione w codziennym użytkowaniu.



**NIE PATRZ BEZPOŚREDNIO NA SOCZEWKĘ.** Może to spowodować uszkodzenie wzroku. Stroboskop może spowodować atak epilepsji!

Urządzenie posiada certyfikat CE. **Nie wolno** wprowadzać żadnych zmian w urządzeniu. Każda modyfikacja sprzętu spowoduje utratę certyfikatu CE oraz gwarancji!

UWAGA: Urządzenie może funkcjonować w pomieszczeniach o temperaturze pomiędzy 5°C/41°F oraz 35°C/95°F.



**WAŻNA INFORMACJA:** Urządzenia elektryczne muszą być składowane w miejscach do tego przeznaczonych. Sprawdź, gdzie w Twojej okolicy znajduje się najbliższe centrum recyklingu. Specyfikacja techniczna poszczególnych urządzeń może się nieznacznie różnić. Specyfikacja może ulec zmian bez powiadomień.

*Nie próbuj dokonywać żadnych napraw samodzielnie, to spowoduje unieważnienie gwarancji. Gwarancja nie dotyczy uszkodzeń spowodowanych niewłaściwym użytkowaniem sprzętu, niezgodnie z instrukcją. Beamz nie jest odpowiedzialny za uszczerbek na zdrowiu oraz kontuzje spowodowane niestosowaniem się do zaleceń bezpieczeństwa. Dotyczy to wszelakich uszkodzeń.*

## INSTRUKCJA ROZPAKOWYWANIA

**OSTRZEŻENIE!** Natychmiast po odbiorze urządzenia, ostrożnie otwórz karton ochronny, oraz sprawdź zawartość i stan techniczny przedmiotu. Niezwłocznie powiadom kuriera oraz zachowaj opakowanie zewnętrzne do kontroli, jeśli jakkolwiek element zawartości wygląda na zniszczony w transporcie lub nosi objawy złego traktowania paczki. W takim wypadku należy niezwłocznie odesłać sprzęt do producenta. Sprzęt należy wysłać w oryginalnym opakowaniu.

Jeśli urządzenie było wystawione na działanie niskich temperatur (np. podczas transportu), nie uruchamiaj go od razu. Powstające zjawisko kondensacji wody może uszkodzić urządzenie. Pozostaw urządzenie wyłączone, dopóki nie osiągnie temperatury pokojowej.

## ZASILANIE

Na naklejce z tyłu urządzenia znajduje się oznaczenie dotyczące rodzaju zasilania. Sprawdź, czy napięcie w gniazdku zgadza się z wymaganym przez producenta. Złe napięcie może spowodować nienaprawialne uszkodzenie urządzenia.



Zawsze podłączaj urządzenie do zabezpieczonego obwodu elektrycznego (za pomocą bezpiecznika lub wyłącznika instalacyjnego). Upewnij się, że urządzenie jest uziemione, aby uniknąć pożaru lub śmiertelnego porażenia prądem.

## INSTALACJA



**UWAGA:** Respektuj normy bezpieczeństwa dotyczące instalacji urządzenia. Instalacja może być przeprowadzona przez wykwalifikowanego pracownika bądź dystrybutora!

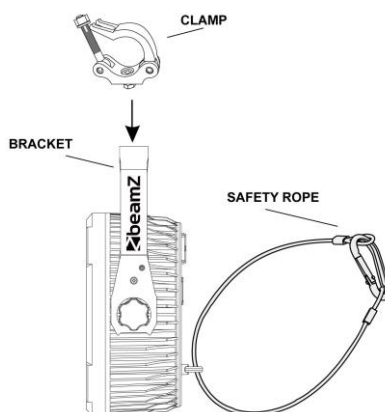


### Uwaga:

- Instalacja urządzenia powinna być przeprowadzona na konstrukcji, która jest w stanie utrzymać 10-krotność wagi sprzętu przez godzinę bez żadnych deformacji.
- Instalacja musi być zawsze dodatkowo zabezpieczona, np. linką bezpieczeństwa. Dodatkowe zabezpieczenie musi być skonstruowane w taki sposób, że żaden element instalacji nie spadnie w przypadku awarii głównego zabezpieczenia.
- Upewnij się, że przestrzeń pod instalacją jest wolna od osób postronnych podczas montażu, demontażu oraz serwisu.
- Operator musi się upewnić, że wszelkie instalacje są zaakceptowane przez eksperta przez użytkownikiem sprzętu. Takie instalacje muszą być kontrolowane co najmniej raz na rok.
- Urządzenie powinno być zamontowane w miejscu niedostępnym dla osób postronnych.



**UWAGA:** Podczas instalacji urządzenia upewnij się, że w pobliżu (0,5m od urządzenia) nie znajdują się materiały łatwopalne (np. dekoracje).



## WYŚWIETLACZ



MODE UP DOWN ENTER



Panel sterowania oferuje kilka funkcjonalności: możesz łatwo ustawić adresowanie DMX, włączyć gotowe programy lub zresetować urządzenie. Menu główne jest dostępne po naciśnięciu przycisku **Mode**. Możesz się poruszać w menu za pomocą przycisków **Up** oraz **Down**.

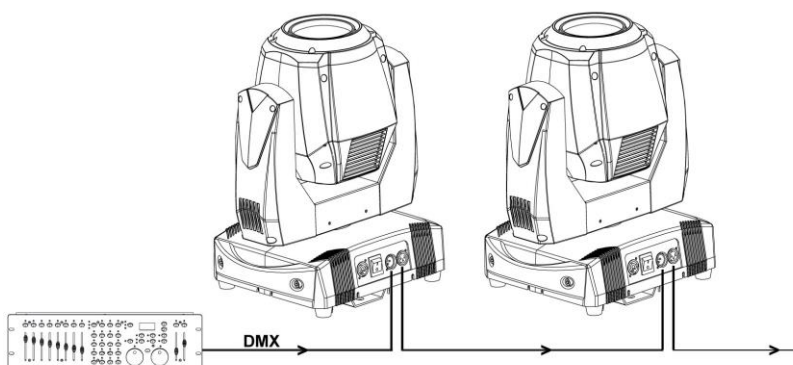
Naciśnij **Enter**, aby wybrać pożądany tryb.

Możesz zmienić wybór naciskając **Up** oraz **Down**. Potwierdź każdorazowo nowy wybór naciskając **Enter**.

Możesz opuścić tryb naciskając **Mode**. Funkcje urządzenia są opisane w dalszej części instrukcji.

## POŁĄCZENIE DMX512

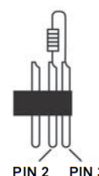
Jeśli używasz standardowego sterownika DMX, możesz podłączyć pierwsze urządzenie w łańcuchu do wyjścia DMX w sterowniku. Zawsze podłączaj urządzenia w łańcuchu DMX szeregowo (jak na poniższym obrazku).



Złącza 5-pin XLR DMX.

Niektórzy producenci używają 5-pinowych gniazd DMX zamiast gniazd 3-pinowych. Takie urządzenia mogą być podłączone do standardowego łańcucha DMX. Trzeba zastosować jednak specjalny adapter. Tabela poniżej wyjaśnia prawidłową konwersję sygnału z wtyku 5-pinowego na wtyk 3-pinowy.

3-Pin XLR to 5-Pin XLR Conversion		
Przewód	3-Pin XLR Female (Out)	5-Pin XLR Male (In)
Ekran/masa	Pin 1	Pin 1
Sygnal -	Pin 2	Pin 2
Sygnal +	Pin 3	Pin 3
nie używany		Pin 4 – nie używany
nie używany		Pin 5 – nie używany



W ostatnie urządzenie w łańcuchu DMX musi być wpięty terminator. Terminator jest to wtyk XLR, w którym 2 oraz 3 pin są połączone ze sobą opornikiem 120 Ohm.

## TRYB MASTER/SLAVE

Tryb Master/slave

Urządzenia w "Show Mode" mogą być połączone w łańcuch i ustawione w trybie master/slave, w którym głowica w trybie master kontroluje zachowanie głowic w trybie "slave"

Dostępne są dwa tryby pracy slave:

- Ruchoma głowica w trybie Slave 1 odwzorowuje dokładnie pracę urządzenia z trybu master.
- Ruchoma głowica w trybie Slave 2 synchronizuje się z trybem master, ale zachowuje różnego rodzaju własne wariacje w obrębie narzuconego programu.

Wszystkie urządzenia z wyjątkiem jednego należy ustawić w tryb slave. Jeśli więcej niż w jednej głowicy zostanie przypisana funkcja master, może to spowodować uszkodzenie urządzeń i jest równoznaczne z utratą gwarancji.

By ruchome głowy działały w trybie master/slave:

1. Połącz sprzęt w łańcuch używając przewodu DMX (łączenie pomiędzy DMX OUT jednego urządzenia, a DMX IN kolejnego itd.)
2. W menu MASTER/SLAVE ustaw jedno urządzenie jako MASTER a pozostałe jako SLAVE 1 bądź SLAVE 2.
3. Ustaw urządzenie MASTER w jeden z czterech zaprogramowanych automatycznych programów.
4. Ustaw wszystkie urządzenia w tryb SLAVE 1 lub SLAVE 2.

## NAWIGACJA PO MENU

By uzyskać dostęp do menu naciśnij przycisk MENU. Poruszaj się po menu za pomocą przycisków DOWN, UP oraz ENTER. Wybrać konkretną opcję, należy potwierdzić wybór przyciskiem ENTER. By powrócić do poprzedniej kategorii bez dokonywania żadnych zmian, naciśnij przycisk MENU. By całkowicie opuścić menu, naciśnij i przytrzymaj przycisk MENU.

## ADRESOWANIE DMX

Adres DMX, znany również jako kanał startowy jest to pierwszy kanał używany do odbioru komend ze sterownika DMX. Urządzenie wymaga sterownika z ilością przynajmniej 12 kanałów. Każdy sprzęt sterowany przez DMX, musi mieć swój własny adres. Przykładowo – jeśli głowica potrzebuje 10 kanałów, a jej adres to 10, to zajmuje na sterowniku kanały od 10 do 22 włącznie. Kolejne urządzenie w łańcuchu DMX może być w tym przypadku adresowane na 23 kanał. Dla niezależnej kontroli, każde urządzenie musi być przypisane do konkretnych kanałów. Jeśli zależy nam na sterowaniu dwoma identycznymi urządzeniami w ten sam sposób, można je zaadresować na ten sam kanał. Może to być pomocne przy diagnozowaniu problemów ze sterowaniem oraz przy symetrycznej kontroli obu urządzeń, szczególnie w przypadku sterowania w trybie pan/tilt.

By ustawić urządzeniu adres DMN, należy:

1. W menu wybrać DMX "ADDR" i nacisnąć ENTER w celu potwierdzenia. Aktualny adres wyświetli się na ekranie.
2. Użyj przycisków UP i DOWN by wybrać jeden z adresów – od 1 do 496 (najwyższy z adresów zależy od konkretnego ustawienia trybu pracy urządzenia)
3. Naciśnij ENTER by potwierdzić wybór.

## TRYB DMX CHANNEL

W trybie DMX, urządzenie można kontrolować na dwa sposoby:

- Podstawowy (12 kanałów)
- Rozszerzony (32 kanałów)

W celu ustawienia trybu pracy:

1. Wybierz "CHNd" MODE I naciśnij ENTER. Aktualny tryb wyświetli się na ekranie.
2. Użyj przycisków UP i DOWN by wybrać "basic" bądź "extended"
3. Naciśnij ENTER by zatwierdzić wybór.

## TRYBY PRACY BEZ DMX

Ustawienia DMX STATE determinują zachowanie urządzenia gdy traci sygnał z kontrolera DMX. Sprzęt może wtedy pracować w trybie Auto, Sound bądź pozostać wygaszony

By ustawić jedną z opcji, należy:

1. Wybrać "SLNd" i nacisnąć ENTER. Pojawi się opcja wyboru pomiędzy "Mast", "SL1", "SL2". By głowa pracowała w trybie Auto bądź Sound, należy wybrać "Mast", w przypadku dokonania innego wyboru, urządzenie po utraceniu połączenia ze sterownikiem DMX pozostanie wygaszone.
2. Użyj przycisków DOWN i UP by wybrać pomiędzy Auto a Sound i naciśnij ENTER w celu potwierdzenia.
3. W przypadku wyboru trybu "Auto" pojawi się możliwość ustawienia jednego z czterech dostępnych programów automatycznych.
4. W przypadku wyboru trybu "Sound" (ShNd na wyświetlaczu) pojawi się możliwość ustawienia jednego z czterech programów dźwiękowych.

UWAGA! W przypadku używania programu dźwiękowego, wybierz "Sound" i zatwierdź przyciskiem ENTER. Pojawi się opcja wyboru "OFF" (praca bez dźwięku) oraz ON. Użyj DOWN i UP do ustawienia oraz ENTER do zatwierdzenia swojej decyzji.

## STEROWANIE PAN/TILT

PAN INVERSE oraz TILT INVERSE to przydatne funkcje, niezbędne by uzyskać efekt symetrii. Działają one na zasadzie odwrócenia kierunku sterowania ruchu w osi pionowej oraz poziomej.

By ustawić inwersję należy:

1. Wybrać z menu PAN INVERSE. Aktualny status pojawi się na wyświetlaczu po kliknięciu ENTER.
  2. Użyj DOWN i UP by wybrać YES (włączona inwersja) lub NO.
  3. Naciśnij ENTER by zatwierdzić wybór.
- 
1. Wybrać z menu TILT INVERSE. Aktualny status pojawi się na wyświetlaczu po kliknięciu ENTER.
  2. Użyj DOWN i UP by wybrać YES (włączona inwersja) lub NO.
  3. Naciśnij ENTER by zatwierdzić wybór.

## WŁ/WYŁ TYŚWIETLACZ

By wyłączyć tylny wyświetlacz należy:

1. Wybrać z menu pozycję "LED" i nacisnąć ENTER.
2. Używając przycisków DOWN I UP, wybrać pomiędzy YES a NO (wyświetlacz wygaszony).
3. Zatwierdzić wybór używając przycisku ENTER.

## AUTO TEST

By wykonać kompleksowy test wszystkich funkcji urządzenia, należy:

1. Wybrać "TEST" z opcji w menu
2. Nacisnąć ENTER w celu uruchomienia programu testowego

## CZAS PRACY

By wyświetlić łączny czas pracy urządzenia, wybierz "HOUR" I naciśnij ENTER. Na wyświetlaczu pokaże się łączna ilość godzin pracy od czasu wyprodukowania urządzenia. Naciśnij MENU, by wyjść z trybu "HOUR".

## WERSJA OPROGRAMOWANIA

By wyświetlić aktualną wersję oprogramowania, wybierz "UER" I naciśnij ENTER. Na wyświetlaczu pojawi się aktualna wersja oprogramowania urządzenia. Naciśnij MENU, by wyjść z trybu "UER".

## RESET

Silnik urządzenia automatycznie resetuje się za każdym razem gdy sprzęt zostaje włączony, ale istnieje też możliwość dokonania resetu przy pracującym sprzęcie. By wymusić restart urządzenia z wbudowanego panelu sterowania, wybierz z menu "RESET" I naciśnij ENTER. Procedura restartu trwa około 20 sekund. Silnik urządzenia może być również zresetowany ze sterownika DMX, przy użyciu kanału funkcji specjalnych.

## USTAWIENIE POZYCJI POCZĄTKOWEJ

Jeżeli urządzenie nie powraca do odpowiedniej pozycji wyjściowej nawet po restarcie, istnieje możliwość ustawienia jej, dokonując kalibracji.

By skalibrować głowicę należy:

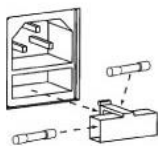
1. Zresetować silnik urządzenia używając sposobu z zakładki "RESET"
2. Przytrzymać ENTER przez 3-5 sekund by wejść w tryb "Offset"
3. Użyj DOWN I UP by wybrać ustawienia PAN lub TILT.
4. Użyj DOWN I UP, do ustawienia poprawnej pozycji wyjściowej.
5. Naciśnij ENTER by zapisać ustawienia, bądź MENU by wyjść do menu bez zapisywania zmian.

Kalibracja może być wykonana również z poziomu sterownika DMX, używając kanału funkcji specjalnych.

## WYMIANA BEZPIECZNIKA

Jeśli bezpiecznik jest niesprawny, wymień go na nowy egzemplarz tego samego typu i wartości. Przed wymianą bezpiecznika wyciągnij kabel zasilający z gniazda.

Instrukcja:



- Krok 1: Otwórz śrubokrętem zasłonkę bezpiecznika na tylnym panelu.
- Krok 2: Wyciągnij bezpiecznik.
- Krok 3: Włóż nowy bezpiecznik w obudowę.
- Krok 4: Zasłoń obudowę bezpiecznika oryginalnym plastikiem.

## CZYSZCZENIE URZĄDZENIA

Czyszczenie wewnętrznej oraz zewnętrznej soczewki oraz/lub lusterek musi być przeprowadzane systematycznie, aby zapewnić najlepszą moc świecenia. Częstotliwość konserwacji zależy od środowiska, w jakim urządzenie jest użytkowane: wilgoć, dym oraz kurz mogą spowodować akumulację nieczystości na optykach.

- Upewnij się, że przestrzeń pod instalacją jest wolna od osób postronnych.
- Obudowy, miejsca montażu oraz konstrukcje powinny być wolne od jakichkolwiek deformacji.
- Kable zasilające powinny być w doskonałym stanie oraz powinny być wymienione natychmiast w przypadku jakiegokolwiek defektu.
- Aby zabezpieczyć urządzenie przed przegrzaniem, wentylatory (jeśli takie są) oraz kanały wentylacyjne powinny być czyszczone raz na miesiąc.
- Wnętrze urządzenia powinno być czyszczone corocznie za pomocą odkurzacza.
- Do czyszczenia sprzętu należy używać miękkiej szmatki oraz zwykłego płynu do mycia szyb.
- Ostrożnie osuszaj części.
- Dokonuj czyszczenia zewnętrznej soczewki co najmniej co miesiąc. Wewnętrzne soczewki powinny być czyszczone co 30/60 dni.

**UWAGA:** Wewnętrzne czyszczenie powinno być przeprowadzane przez wykwalifikowaną osobę.



## MENU / MENÜ / MENÚ

Mode	Programming	Description
<b>DMX address</b>	DMX Address (1-512)	Fixture DMX address setting
<b>Channel mode</b>	12 Channel	
	32 Channel	
<b>Slave mode</b>	Master mode	Fixture acts as master
	Slave 1	Slave copies master
	Slave 2	Slave synced by master
<b>Show model</b>	Show 1--4	Select stand-alone program
<b>Auto model</b>	Auto 1—4 (speed 0—9)	
<b>Sound model</b>	On/off	Toggle music trigger for stand-alone operation
<b>Sound sense</b>	0-100 from slow to fast	Microphone sensitivity for music trigger
<b>LED Screen</b>	Screen LED lighting YES/NO	Toggle display panel backlight
<b>Display</b>	Forward/ Backward	
<b>Pan Inversion</b>	YES	Invert pan control
	NO	Normal pan control
<b>Tilt Inversion</b>	YES	Invert tilt control
	NO	Normal tilt control
<b>Test</b>	testing	
<b>Hour</b>	Fixture work hours 0---9999	Fixture operating hours counter
<b>Software version</b>	Ver	Currently installed firmware version
<b>Reset</b>		Force a fixture reset

## DMX CHANNELS / DMX KANALEN / DMX-KANÄLE / CANALES DMX / CANAUX DMX / KANAŁY DMX / DMX KANÁLY

### 12 Channel mode

Channel	Function	Value	Description
1	Pan 0°~ 540°	000-255	Adjust Pan motor movement
2	Tilt 0°~ 210°	000-255	Adjust Tilt motor movement
3	Dimmer	000-255	Dimming from dark to bright
4	Strobe	000-008	No function
		009-255	Strobe slow to fast
5	Colours	000-255	Red 0 to 100%
6		000-255	Green 0 to 100%
7		000-255	Blue 0 to 100%
8		000-255	White 0 to 100%
9	SMD Chase	000-127	Colour Macro
		128-255	Colour chase
10	Chase speed	000-255	Colour chase speed slow to fast
11	Pan & Tilt speed	000-255	Speed slow to fast
12	Mode	000-199	No function
		200-209	Reset
		210-239	No function
		240-255	Sound action

## 32 Channels mode

Channel	Function	Value	Description
1	Pan 0°~ 540°	000-255	Adjust Pan motor movement
2	Pan Fine	000-255	Adjust Pan fine motor movement
3	Tilt 0°~ 210°	000-255	Adjust Tilt motor movement
4	Tilt Fine	000-255	Adjust Tilt fine motor movement
5	Dimmer	000-255	Master dimmer 0-100%
6	Strobe	000-008	No function
		009-255	Strobe from slow to fast
7	Colour	000-255	Red 0-100%
8		000-255	Green 0-100%
9		000-255	Blue 0-100%
10		000-255	White 0-100%
11	SMD Section 1	000-255	Red 0-100%
12		000-255	Green 0-100%
13		000-255	Blue 0-100%
14	SMD Section 2	000-255	Red 0-100%
15		000-255	Green 0-100%
16		000-255	Blue 0-100%
17	SMD Section 3	000-255	Red 0-100%
18		000-255	Green 0-100%
19		000-255	Blue 0-100%
20	SMD Section 4	000-255	Red 0-100%
21		000-255	Green 0-100%
22		000-255	Blue 0-100%
23	SMD Section 5	000-255	Red 0-100%
24		000-255	Green 0-100%
25		000-255	Blue 0-100%
26	SMD Section 6	000-255	Red 0-100%
27		000-255	Green 0-100%
28		000-255	Blue 0-100%
29	SMD Chase	000-127	Colour Macro
		128-255	Colour chase
30	Chase speed	000-255	Colour chase speed slow to fast
31	Pan & Tilt speed	000-255	Speed slow to fast
32	Mode	000-199	No function
		200-209	Reset
		210-239	No function
		240-255	Sound action

## TECHNICAL SPECIFICATION / TECHNISCHE SPECIFICATIE / TECHNISCHE DATEN / ESPECIFICACIONES TÉCNICAS / SPÉCIFICATIONS TECHNIQUES / SPECYFIKACJA TECHNICZNA

Rated voltage	: 100-240V, 50/60Hz, 0.8-0.4A
LED	: 60W
Fuse	: F2A
DMX Channels	: 12 or 32 Channels
Pan movement	: 540°
Tilt movement	: 210°
Function	: DMX, Auto, Sound active and Master-Slave.
Dimensions per unit	: 150 x 160 x 235mm
Weight (per unit)	: 3.0 kg

The specifications are typical. The actual values can slightly change from one unit to the other. Specifications can be changed without prior notice.

The products referred to in this manual conform to the European Community Directives to which they are subject:

- Low Voltage (LVD) 2014/35/EU
- Electromagnetic Compatibility (EMC) 2014/30/EU
- Restriction of Hazardous Substances (RoHS) 2011/65/EU



Specifications and design are subject to change without prior notice.

**[www.tronios.com](http://www.tronios.com)**

Copyright © 2018 by Tronios The Netherlands